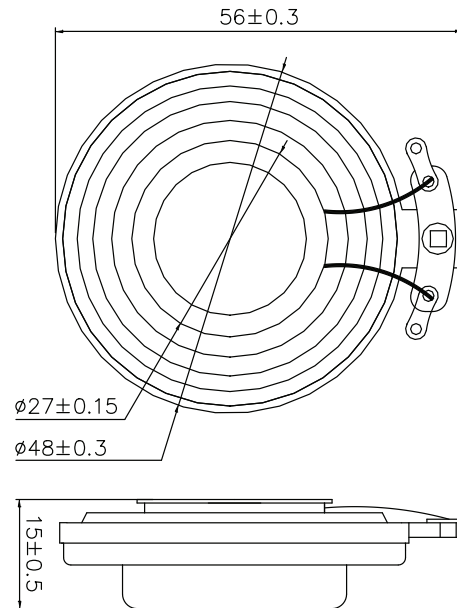


DAEX25CT-4

Coin Type 25mm Exciter 10W 4 Ohm



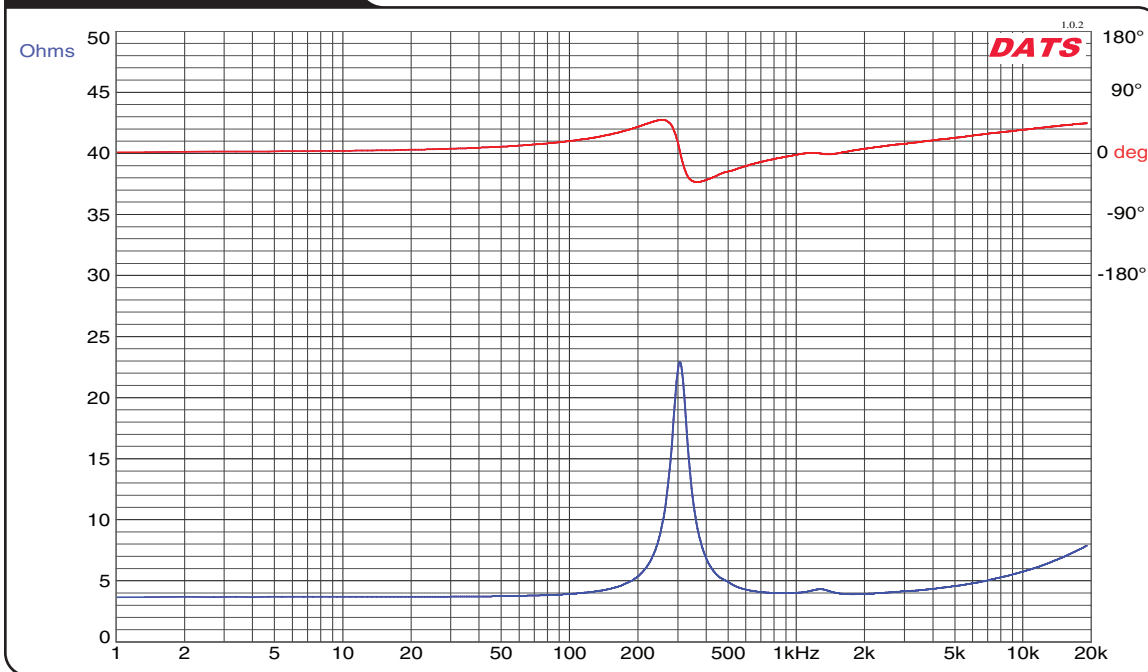
Features

- Compact design
- Solid construction
- 3M adhesive
- Easy tabs for speaker connection

Applications

- Limited space applications
- Easy to incorporate into designs
- Flat panel speakers
- Consumer electronics

Impedance Plot



Parameters

Impedance (Ω)	4
Re (Ω)	3.6
Le (mH) @ 1 kHz	0.07
Fs (Hz) - Uncoupled	306
Qms	—
Qes	—
Qts	1.07
Mms (g)	1.29
Cms (mm/N)	0.0002
Sd (cm ²)	—
Vd (cm ³)	—
BL (Tm)	1.54
VAS (liters)	—
XMAX (mm)	—
VC Diameter (mm)	25
Net Weight (g)	74.6
RMS Power Handling (W)	10
Usable Frequency Range (Hz)	*