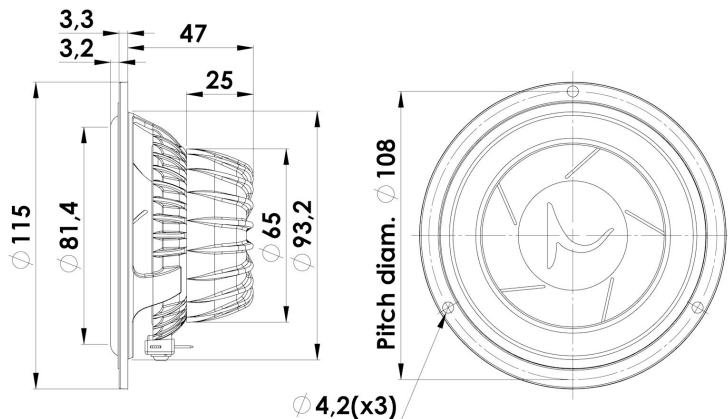




## MIDRANGE

## 11M/4631G05

The GOLD SERIES are specially selected units from Scan-Speak's well-known home audio speakers. Which have been upgraded and optimized for automotive use. This series enables audiophiles to experience in their vehicle the - TRUE TO LIVE - that they enjoy from their high-end home audio system.



### KEY FEATURES:

- Sliced Paper Cone
- Low-Loss Linear Suspension
- High Grade Neo Magnet
- Compact Neodymium Magnet System
- Robust Alu Chassis
- Protective Magnet Cup with Grill over Pole Vent

#### T-S Parameters

|                               |                    |
|-------------------------------|--------------------|
| Resonance frequency [fs]      | 68 Hz              |
| Mechanical Q factor [Qms]     | 4.54               |
| Electrical Q factor [Qes]     | 0.33               |
| Total Q factor [Qts]          | 0.31               |
| Force factor [Bl]             | 5.5 Tm             |
| Mechanical resistance [Rms]   | 0.67 kg/s          |
| Moving mass [Mms]             | 7.1 g              |
| Compliance [Cms]              | 0.77 mm/N          |
| Effective diaph. diameter [D] | 80 mm              |
| Effective piston area [Sd]    | 50 cm <sup>2</sup> |
| Equivalent volume [Vas]       | 2.7 l              |
| Sensitivity (2.83V/1m)        | 90 dB              |
| Ratio Bl/√Re                  | 3.03 N/√W          |
| Ratio fs/Qts                  | 219 Hz             |

#### Notes:

IEC specs. refer to IEC 60268-5 third edition.  
All Scan-Speak products are RoHS compliant.  
Data are subject to change without notice.  
Datasheet updated: March 8, 2017.

#### Electrical Data

|                            |         |
|----------------------------|---------|
| Nominal impedance [Zn]     | 4 Ω     |
| Minimum impedance [Zmin]   | 3.6 Ω   |
| Maximum impedance [Zo]     | 43 Ω    |
| DC resistance [Re]         | 3.3 Ω   |
| Voice coil inductance [Le] | 0.06 mH |

#### Power Handling

|                                 |      |
|---------------------------------|------|
| 100h RMS noise test (IEC 17.1)* | 40 W |
| Long-term max power (IEC 17.3)* | 70 W |

\*Filter: 2. order HP Butterworth, 200 Hz

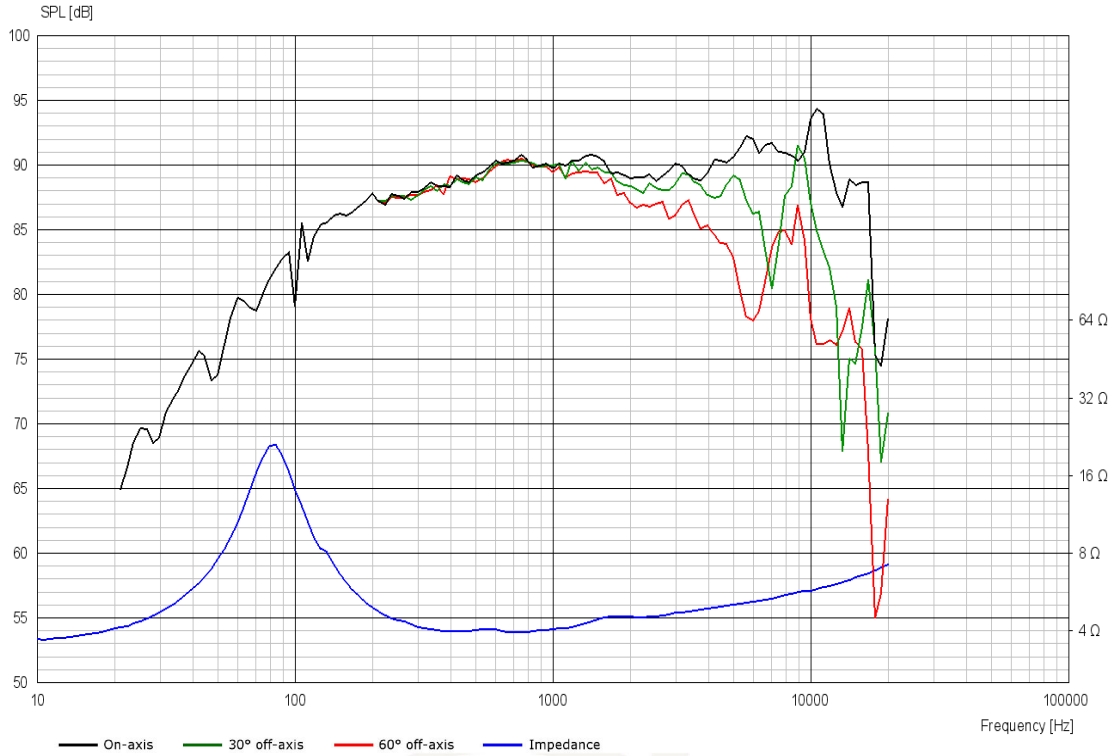
#### Voice Coil & Magnet Data

|                     |        |
|---------------------|--------|
| Voice coil diameter | 38 mm  |
| Voice coil height   | 10 mm  |
| Voice coil layers   | 2      |
| Height of gap       | 4 mm   |
| Linear excursion    | ± 3 mm |
| Max mech. excursion | ± 7 mm |
| Unit weight         | 0.6 kg |



# MIDRANGE

# 11M/4631G05



## Advanced Parameters (Preliminary)



### Electrical data

|                               |            |
|-------------------------------|------------|
| Resistance [ $R_{E'}$ ]       | - $\Omega$ |
| Free inductance [ $L_{EB}$ ]  | - mH       |
| Bound inductance [ $L_E$ ]    | - mH       |
| Semi-inductance [ $K_E$ ]     | - SH       |
| Shunt resistance [ $R_{SS}$ ] | - $\Omega$ |

### Mechanical Data

|                                    |        |
|------------------------------------|--------|
| Force Factor [ $BI$ ]              | - Tm   |
| Moving mass [ $M_{MS}$ ]           | - g    |
| Compliance [ $C_{MS}$ ]            | - mm/N |
| Mechanical resistance [ $R_{MS}$ ] | - kg/s |
| Admittance [ $A_{MS}$ ]            | - mm/N |