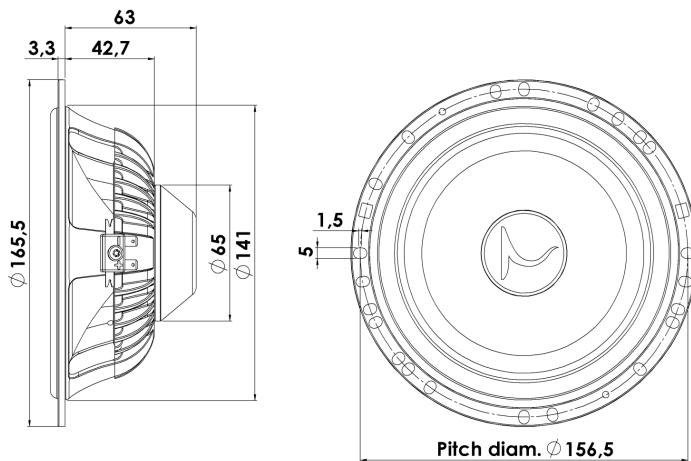




MIDWOOFER

16W/4434G00

The Discovery series offer traditional design, superior sound, a solid construction, and a wide range of variants. Combining these elements - plus a wealth of technical features and finesses - it gives our customers the possibility of acquiring a tailor-made Scan-Speak solution with very good performance at a reasonable low price point!



KEY FEATURES:

- Optimized for Car Use
- Aluminium Die cast Basket
- Black Coated NRSC Fibre Glass Cone
- EURO-DIN mounting flange
- Shallow mounting dimension
- Low Loss Suspension, with Rubber Surround

T-S Parameters

Resonance frequency [fs]	55 Hz
Mechanical Q factor [Qms]	3.06
Electrical Q factor [Qes]	0.56
Total Q factor [Qts]	0.48
Force factor [Bl]	4.8 Tm
Mechanical resistance [Rms]	1.41 kg/s
Moving mass [Mms]	12.5 g
Suspension compliance [Cms]	0.67 mm/N
Effective diaph. diameter [D]	6.6 mm
Effective piston area [Sd]	138 cm ²
Equivalent volume [Vas]	17.9 l
Sensitivity (2.83V/1m)	90.5 dB
Ratio Bl/√Re	2.77 N/√W
Ratio fs/Qts	116 Hz

Notes:

IEC specs. refer to IEC 60268-5 third edition.
All Scan-Speak products are RoHS compliant.
Data are subject to change without notice.
Datasheet updated: February 22, 2011.

Electrical Data

Nominal impedance [Zn]	4 Ω
Minimum impedance [Zmin]	3.8 Ω
Maximum impedance [Zo]	19.4 Ω
DC resistance [Re]	3 Ω
Voice coil inductance [Le]	0.35 mH

Power Handling

100h RMS noise test (IEC 17.1)	40 W
Long-term max power (IEC 17.3)	- W

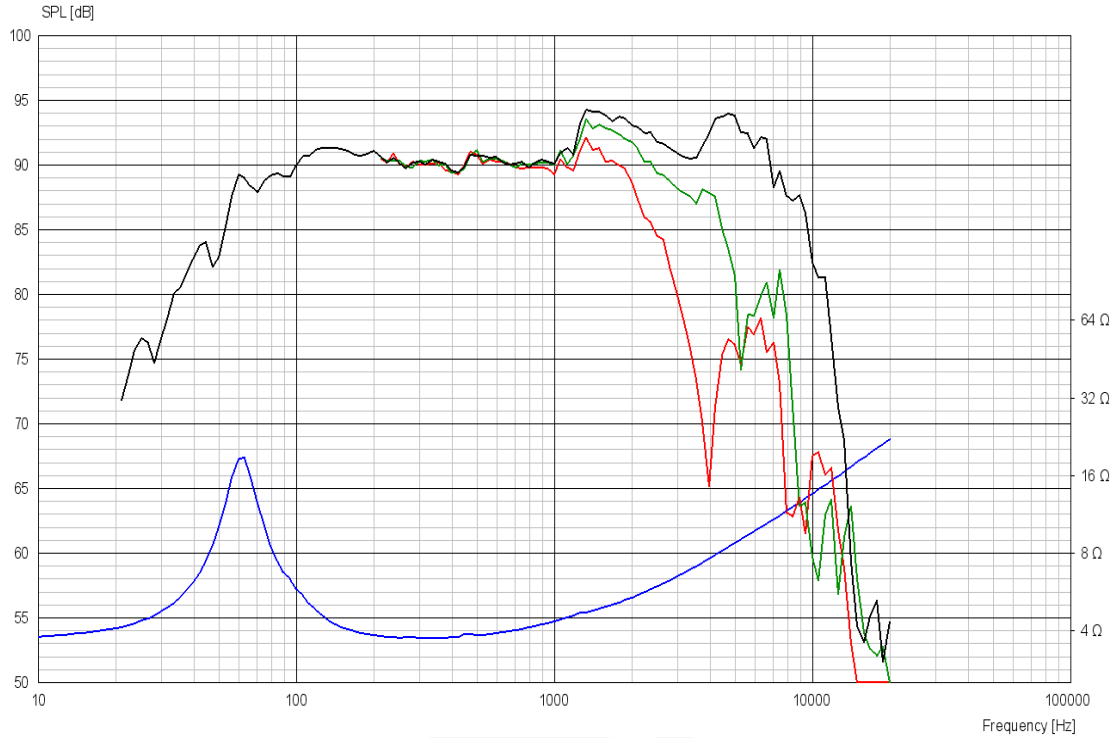
Voice Coil and Magnet Data

Voice coil diameter	32 mm
Voice coil height	12 mm
Voice coil layers	2
Height of gap	4 mm
Linear excursion	± 4 mm
Max mech. excursion	± 8 mm
Unit weight	0.6 kg

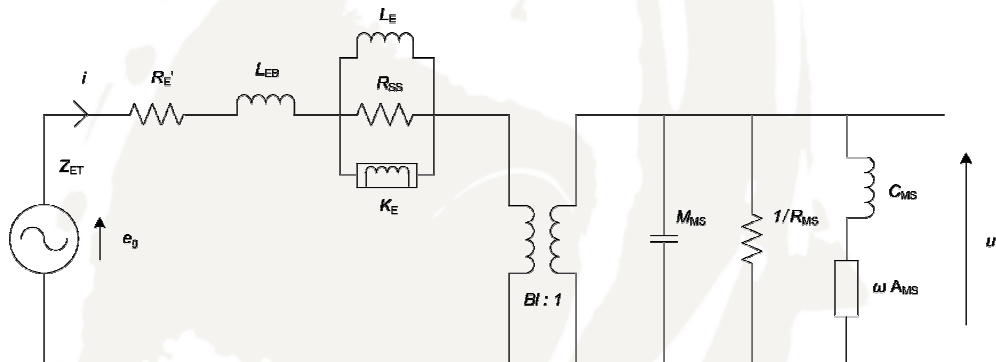


MIDWOOFER

16W/4434G00



Advanced Parameters (Preliminary)



Electrical data:

Resistance [Re']	3.18 Ω
Free inductance [Leb]	0.0561 mH
Bound inductance [Le]	0.340 mH
Semi-inductance [Ke]	0.0516 SH
Shunt resistance [Rss]	1633 Ω

Mechanical Data

Force Factor [Bl]	4.45 Tm
Moving mass [Mms]	12.7 g
Compliance [Cms]	0.519 mm/N
Mechanical resistance [Rms]	0.642 kg/s
Admittance [Ams]	0.0641 mm/N