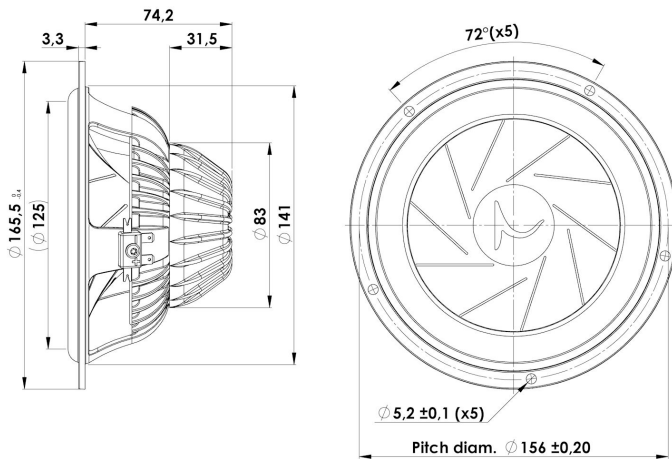




MIDWOOFER

16W/4538G05

16W/4538G05 features a sandwich cone with a sliced paper membrane combined with a polycarbonate rearside membrane, a brand new technology that are extremely robust, well dampened and suppresses cone breakup modes dramatically. This in combination with low-loss linear suspension and its Symmetrical Drive High-Grade Neodymium magnet offers outstanding sound performance.



KEY FEATURES:

- Sandwich Cone w. Slices
- High Grade Compact Neo magnet System
- Low Damping SBR Rubber Surround
- Low-Loss linear suspension
- Patented Symmetrical Drive Motor Design
- Robust Die cast Alu Chassis

T-S Parameters

Resonance frequency [fs]	36 Hz
Mechanical Q factor [Qms]	3.82
Electrical Q factor [Qes]	0.39
Total Q factor [Qts]	0.35
Force factor [Bl]	5.5 Tm
Mechanical resistance [Rms]	1 kg/s
Moving mass [Mms]	16.9 g
Compliance [Cms]	1.12 mm/N
Effective diaph. diameter [D]	125 mm
Effective piston area [Sd]	123 cm ²
Equivalent volume [Vas]	24 l
Sensitivity (2.83V/1m)	90 dB
Ratio Bl/√Re	3.12 N/√W
Ratio fs/Qts	103 Hz

Notes:

IEC specs. refer to IEC 60268-5 third edition.
All Scan-Speak products are RoHS compliant.
Data are subject to change without notice.
Datasheet updated: March 8, 2017.

Electrical Data

Nominal impedance [Zn]	4 Ω
Minimum impedance [Zmin]	3.5 Ω
Maximum impedance [Zo]	35 Ω
DC resistance [Re]	3.1 Ω
Voice coil inductance [Le]	0.18 mH

Power Handling

100h RMS noise test (IEC 17.1)	70 W
Long-term max power (IEC 17.3)	125 W

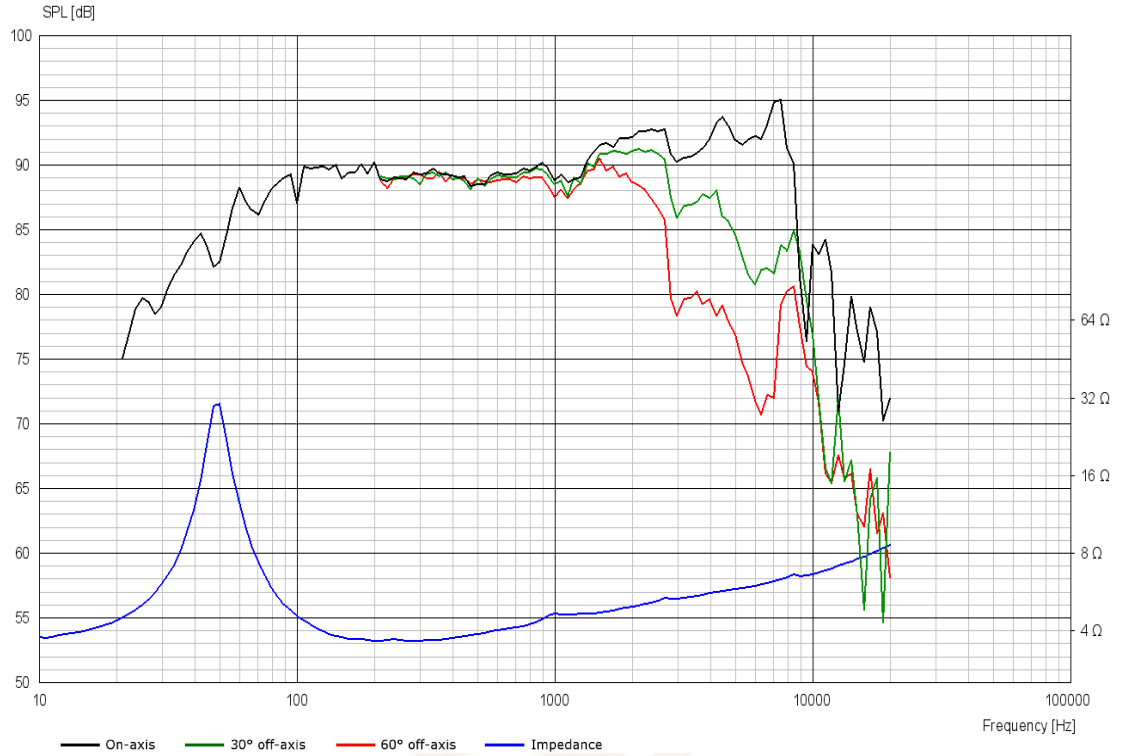
Voice Coil & Magnet Data

Voice coil diameter	38 mm
Voice coil height	17.2 mm
Voice coil layers	2
Height of gap	4 mm
Linear excursion	± 6.6 mm
Max mech. excursion	± 13.5 mm
Unit weight	1 kg



MIDWOOFER

16W/4538G05



Advanced Parameters (Preliminary)



Electrical data

Resistance [$R_{E'}$]	- Ω
Free inductance [L_{EB}]	- mH
Bound inductance [L_E]	- mH
Semi-inductance [K_E]	- SH
Shunt resistance [R_{SS}]	- Ω

Mechanical Data

Force Factor [BI]	- Tm
Moving mass [M_{MS}]	- g
Compliance [C_{MS}]	- mm/N
Mechanical resistance [R_{MS}]	- kg/s
Admittance [A_{MS}]	- mm/N