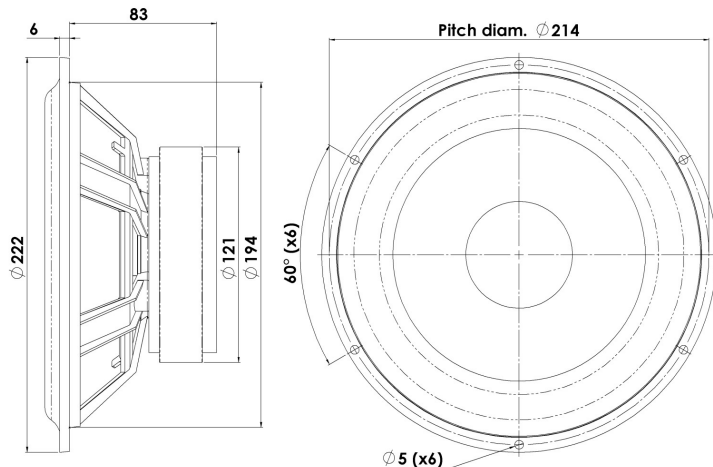




WOOFER

21W/8555-10

The 21W/8555-10 is a mechanically upgraded version of 21W/8555-00, its major change is the a alu chassis, that maintain same shape, dimensions and visual appearance. The patented Symmetric Drive (SD-1) concept with copper in the magnet system and carbonfiber paper cone and low loss linear suspension continues to be the key features that make the 21W/8555-10 one of the best 8" woofers available.



KEY FEATURES:

- Patented Symmetrical Drive Motor Design SD-1
- Low-Loss linear suspension
- Low Damping SBR Rubber Surround
- Die Cast Alu. Chassis
- Air Dried Paper/Carbon Fibre Cone
- 42mm Voice Coil

T-S Parameters

Resonance frequency [fs]	20 Hz
Mechanical Q factor [Qms]	4.50
Electrical Q factor [Qes]	0.33
Total Q factor [Qts]	0.31
Force factor [Bl]	8.2 Tm
Mechanical resistance [Rms]	0.89 kg/s
Moving mass [Mms]	32 g
Compliance [Cms]	1.98 mm/N
Effective diaph. diameter [D]	167 mm
Effective piston area [Sd]	220 cm ²
Equivalent volume [Vas]	134 l
Sensitivity (2.83V/1m)	87 dB
Ratio Bl/ \sqrt{Re}	3.50 N/ \sqrt{W}
Ratio fs/Qts	65 Hz

Notes:

IEC specs. refer to IEC 60268-5 third edition.
All Scan-Speak products are RoHS compliant.
Data are subject to change without notice.
Datasheet updated: January 22, 2016.

Electrical Data

Nominal impedance [Zn]	8 Ω
Minimum impedance [Zmin]	6.4 Ω
Maximum impedance [Zo]	80.5 Ω
DC resistance [Re]	5.5 Ω
Voice coil inductance [Le]	0.4 mH

Power Handling

100h RMS noise test (IEC 17.1)	100 W
Long-term max power (IEC 17.3)	160 W

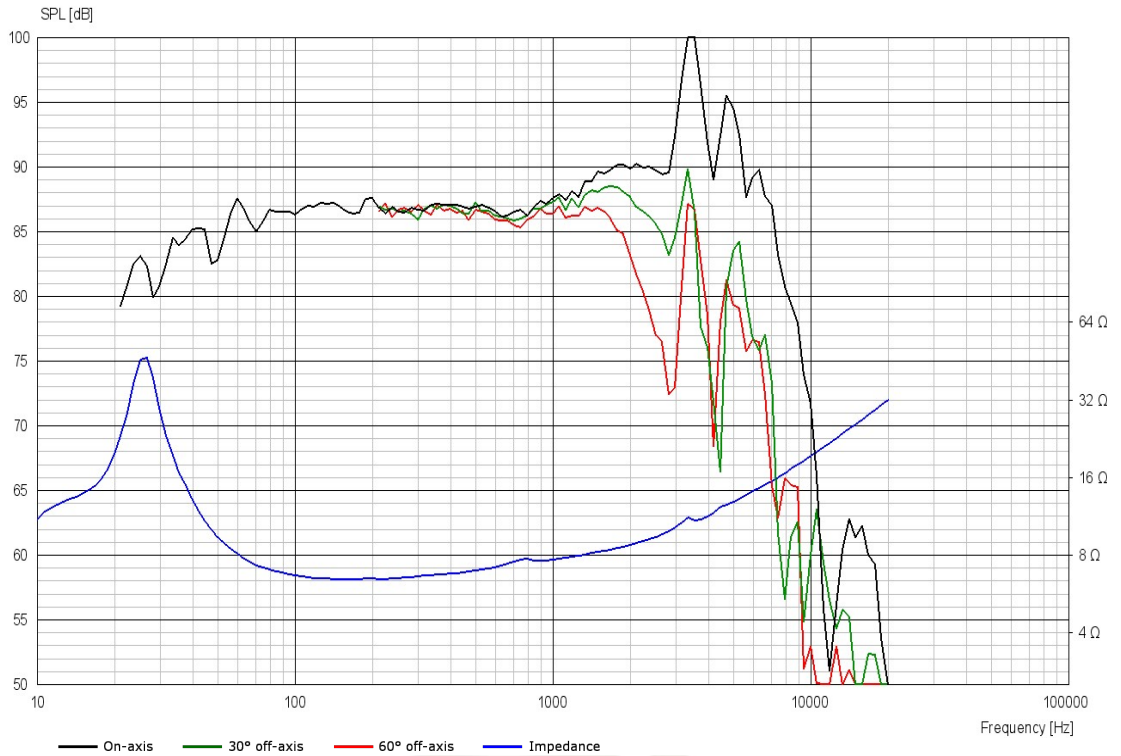
Voice Coil & Magnet Data

Voice coil diameter	42 mm
Voice coil height	19 mm
Voice coil layers	2
Height of gap	6 mm
Linear excursion	± 6.5 mm
Max mech. excursion	± 12 mm
Unit weight	2.2 kg

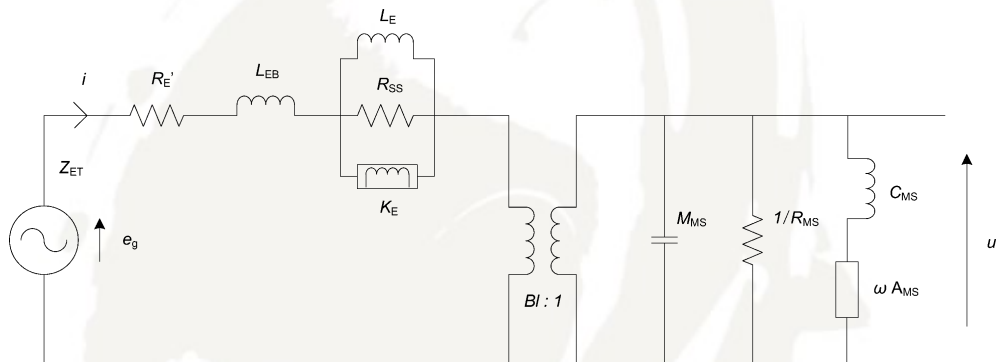


WOOFER

21W/8555-10



Advanced Parameters (Preliminary)



Electrical data

Resistance [$R_{E'}$]	5.58 Ω
Free inductance [L_{EB}]	0.158 mH
Bound inductance [L_E]	2.04 mH
Semi-inductance [K_E]	0.033 SH
Shunt resistance [R_{SS}]	101 Ω

Mechanical Data

Force Factor [Bl]	7.81 Tm
Moving mass [M_{MS}]	33.9 g
Compliance [C_{MS}]	1.22 mm/N
Mechanical resistance [R_{MS}]	0.70 kg/s
Admittance [A_{MS}]	0.09 mm/N