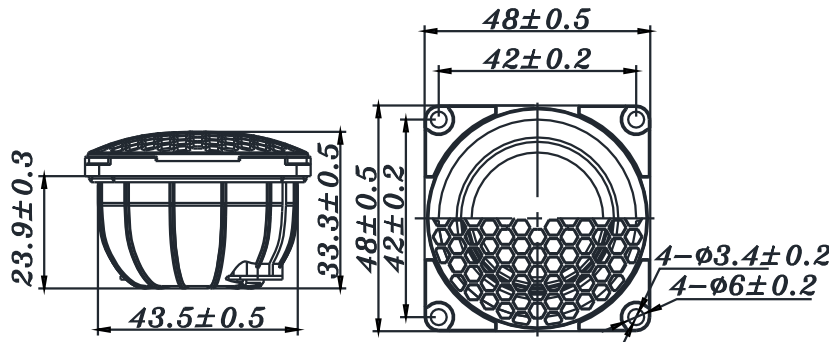


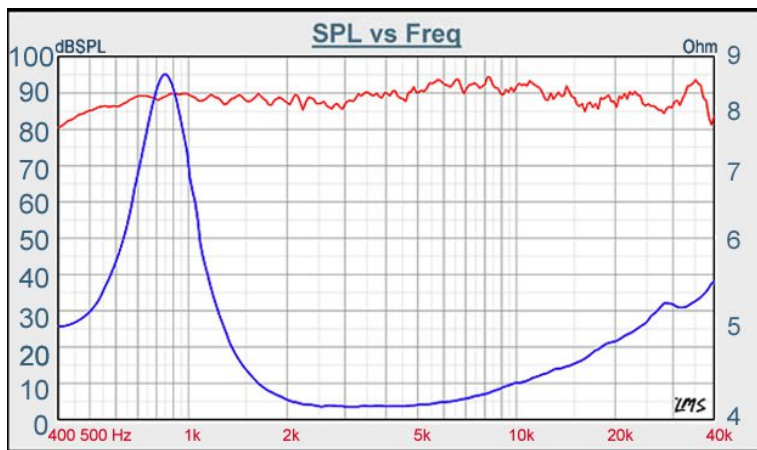
**TW** SERIES

**25-2234S**



- REACH 40KHZ FREQUENCY RESPONSE , MEET HI-RES INQUIRY
- ALUMINUM / MAGNESIUM MEMBRANE
- SEMI-AUTOMATIC PROCESS TO HAVE EXCELLENT CONSISTENCY
- NEODYMIUM MAGNET DESIGN
- FERRO-FLUID COOLED

**25mm HI-RES TWEETER**



|                       |              |
|-----------------------|--------------|
| DIAPHRAGM MTL         | Alum/Mg      |
| SURROUND MTL          | Rubber       |
| NOMINAL IMPEDANCE     | 4 W          |
| DCR IMPEDANCE         | 3.6 W        |
| SENSITIVITY 1W/1M     | 90 dB        |
| FREQUENCY RESPONSE    | 900 - 40K Hz |
| FREE AIR RESONANCE    | 900 Hz       |
| VOICE COIL DIAMETER   | 25.4 mm      |
| AIR GAP HEIGHT        | 1.5 mm       |
| RATED POWER INPUT     | 8 W          |
| MAXIMUM POWER INPUT   | 80 W         |
| FORCE FACTOR, BL      | N/A          |
| TYPE OF MAGNET        | Neodymium    |
| MOVING MASS           | N/A          |
| FERROFLUID ENHANCED   | Yes          |
| SUSPENSION COMPLIANCE | N/A          |
| EFFECTIVE PISTON AREA | N/A          |
| Levc                  | 0.02 mH      |
| Zo                    | N/A          |
| Xmax                  | N/A          |
| Vas                   | N/A          |
| Qts                   | N/A          |
| Qms                   | N/A          |
| Qes                   | N/A          |



VOICE: 886.2.26570282 FAX: 886.2.26580166  
E-MAIL: info@tb-speaker.com