

27TBCD/GB-DXT is a High Definition aluminium/magnesium alloy dome tweeter with DXT® lens.

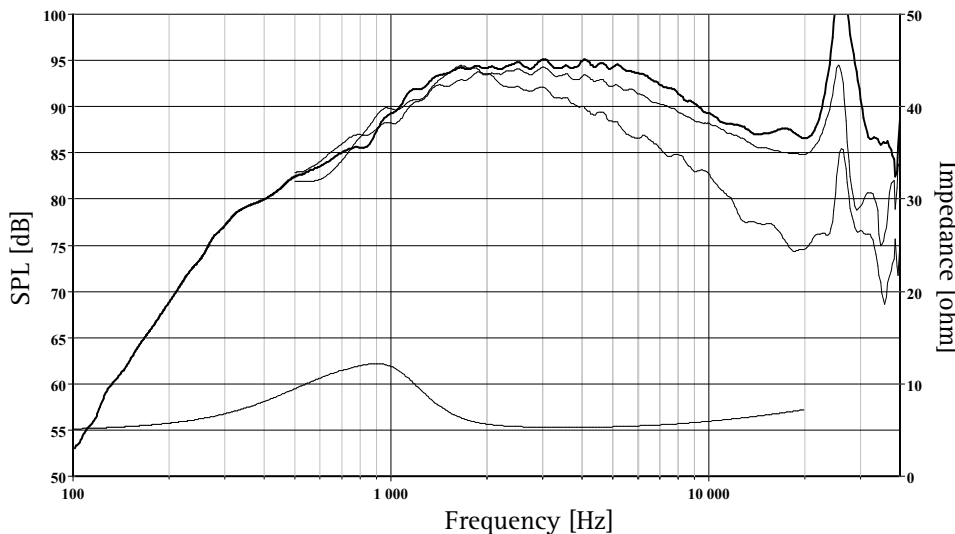
An optimally shaped dome and a wide SONOMEX surround, both manufactured by SEAS, ensure excellent performance and consistency.

The compensation magnet increases the sensitivity and reduces the magnetic strayfield and allows use in close proximity to CRT screens.

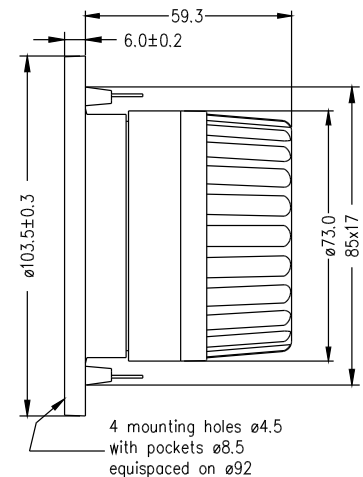
A fine mesh grid protects the diaphragm.

Stiff and stable rear chamber with optimal acoustic damping allows the tweeter to be used with moderately low crossover frequencies.

This revolutionary DXT® tweeter addresses the major issues regarding directivity control in traditional loudspeaker designs. DXT® solves several well-know issues regarding; directivity control, off-axis response, integration with midrange units and baffle diffractions.



The frequency responses above show measured free field sound pressure in 0, 30, and 60 degrees, mounted in a 0.6m by 0.8m baffle. Input 2.83 Vrms, microphone distance 0.5m, normalized to SPL 1m. The impedance is measured without baffle using a 2V sine signal.



Nominal Impedance	6 Ohms	Voice Coil Resistance	4.8 Ohms
Recommended Frequency Range	2000 - 25000 Hz	Voice Coil Inductance	0.05 mH
Short Term Power Handling *	150 W	Force Factor	3.7 N/A
Long Term Power Handling *	55 W	Free Air Resonance	900 Hz
Characteristic Sensitivity (2.83V, 1m)	92.0 dB	Moving Mass	0.33 g
Voice Coil Diameter	26 mm	Effective Piston Area	7.5 cm ²
Voice Coil Height	1.5 mm	Magnetic Gap Flux Density	1.9 T
Air Gap Height	2.0 mm	Magnet Weight	0.35 kg
Linear Coil Travel (p-p)	0.5 mm	Total Weight	0.64 kg