



## Features

28mm Silk dome tweeter, hand coated Silk diaphragm, rich and warm sound impression, authentic staging, uncolored sound reproduction.

28 mm Gewebe Hochtöner, handbeschichtete Gewebekalotte, voller, warmer Klang, authentische Raumab- bildung, neutrale Klang- eigenschaften.

#1.6304.03

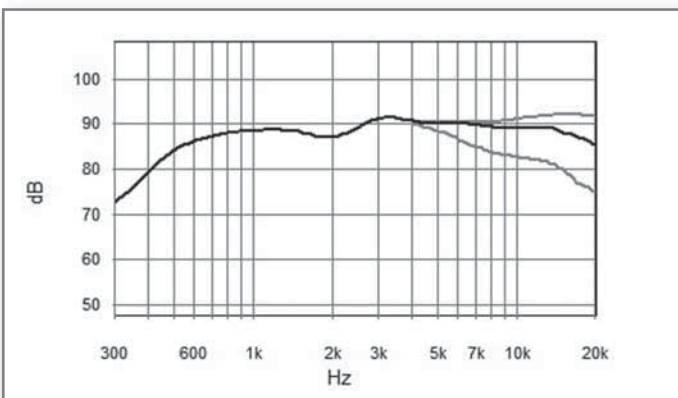
## Main technical data

|                         |          |     |          |
|-------------------------|----------|-----|----------|
| Nominal impedance       | $Z_n$    | 8   | $\Omega$ |
| DC resistance           | $R_e$    | 6.6 | $\Omega$ |
| Resonance frequency 1W  | $f_r$    | 560 | Hz       |
| Resonance frequency TSP | $f_r$    | -   | Hz       |
| Suspension compliance   | $C_{MS}$ | -   | mm/N     |
| Mechanical Q            | $Q_{ms}$ | -   |          |
| Electrical Q            | $Q_{es}$ | -   |          |
| Total Q                 | $Q_{ts}$ | -   |          |
| Mechanical resistance   | $R_{MS}$ | -   | kg/s     |

|                                    |                 |      |                 |
|------------------------------------|-----------------|------|-----------------|
| Total moving mass (incl. air mass) | $M_{MD}$        | 0.32 | g               |
| Effective piston area              | $S_D$           | 8.5  | cm <sup>2</sup> |
| Voice coil inductance              | $L_e$           | 0.02 | mH              |
| Force factor                       | $B_L \cdot x_l$ | 4.8  | Tm              |
| Xmax electrical                    | +/-             | 0.6  | mm              |
| Xmax mechanical                    | +/-             | 1.8  | mm              |
| Equivalent air vol. of suspension  | $V_{AS}$        | -    | dm <sup>3</sup> |
| Characteristic SPL 1 Watt/1m       |                 | 91   | dB SPL          |
| Rated power                        |                 | 120* | W               |

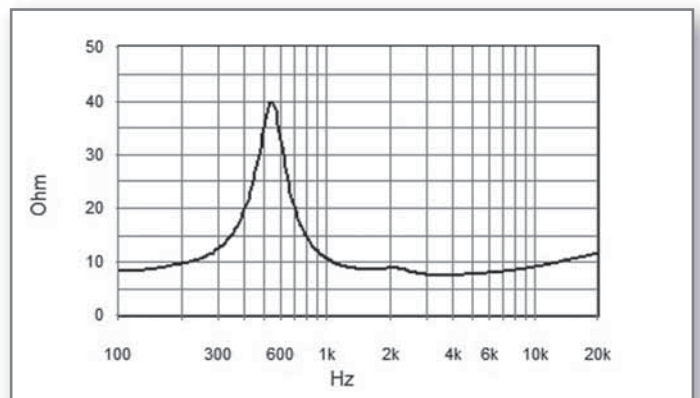
\*with crossover

## Frequency response

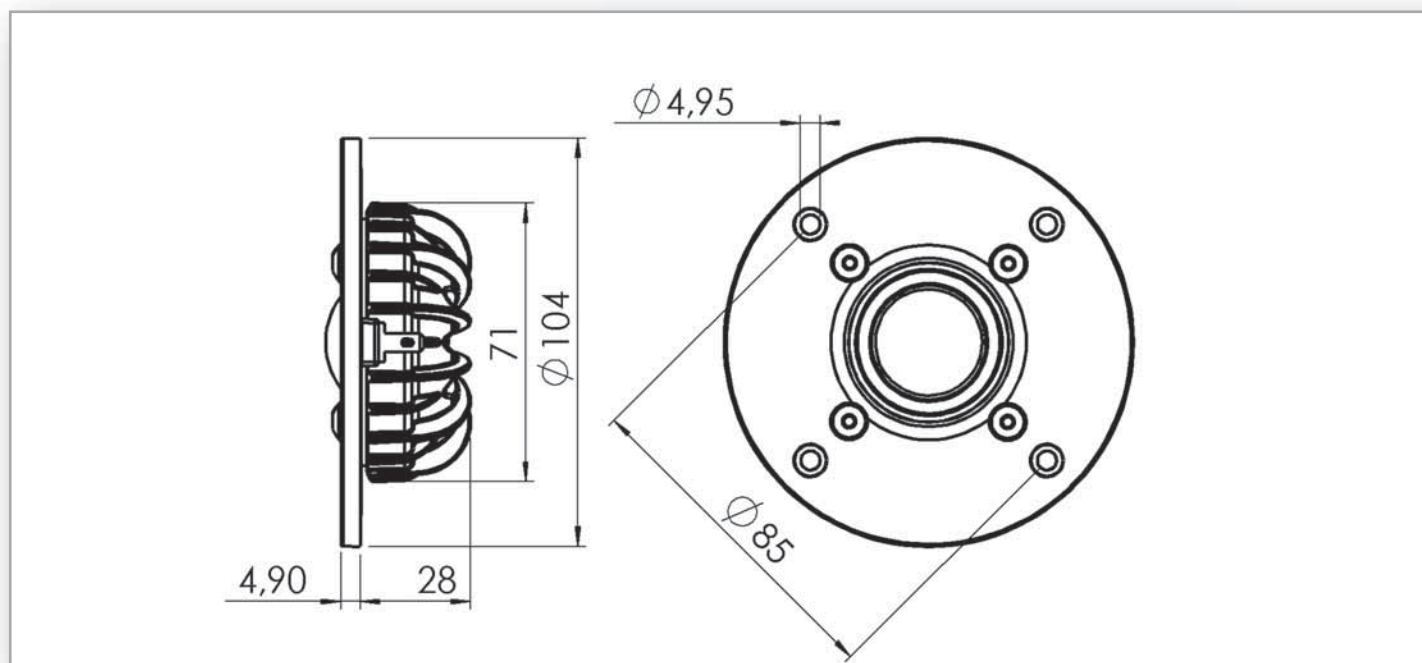


SPL 2,83 V/1m; black 30°, grey 0,60°  
Half space; baffle 40x30 cm

## Impedance



Measured free air without baffle



### Mechanical data

|                      |          |    |
|----------------------|----------|----|
| Overall diameter     | 104      | mm |
| Volume cap diameter  | 71       | mm |
| Frame depth          | 4.9      | mm |
| Overall depth        | 32.9     | mm |
| Screw holes diameter | 5/ 8     | mm |
| Terminal             | 4.8/ 4.8 | mm |
| Weight               | 0.34     | kg |

### Voice coil

|                 |                    |    |
|-----------------|--------------------|----|
| Diameter        | 28                 | mm |
| Height          | 2.3                | mm |
| Wire material   | Aluminium, Cu clad |    |
| Former material | Aluminium          |    |
| Layers          | 2                  |    |

### Magnet

|               |           |    |
|---------------|-----------|----|
| Flux density  | 1.6       | T  |
| Height of gap | 3.5       | mm |
| Material      | Neodymium |    |
| Dimension     | 60 x 35   | mm |
| Height        | 3         | mm |
| Motor type    | Underhung |    |
| Ferrofluid    | no        |    |

### Other data

|                             |               |
|-----------------------------|---------------|
| Recommended frequency range | 2000-22000 Hz |
|-----------------------------|---------------|