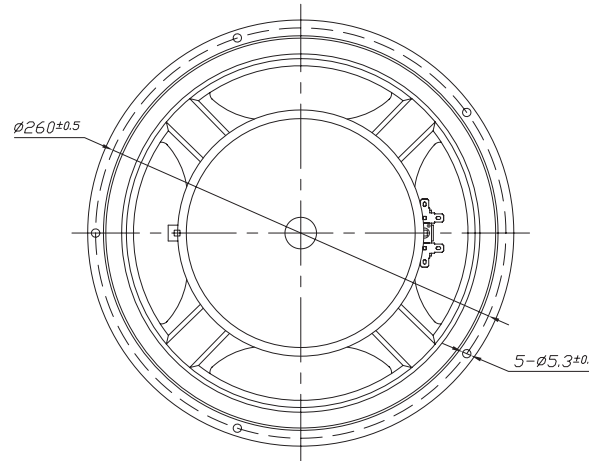
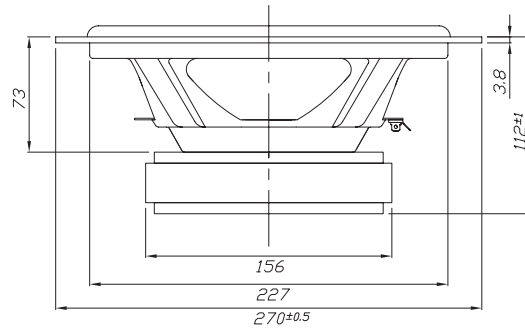


Features

- Rigid poly coated paper cone with rubber surround
- 1-1/2" 2-layer copper voice coil on aluminum former
- Linear Conex spider and strong ferrite motor for controlled motion
- Vented pole piece to reduce compression and increase heat dissipation
- Cosmetic stamped steel frame with low-profile lip no countersinking required
- Frequency response (.frd) and impedance (.zma) text files available
- Same "family look" as the Dayton Audio DVC series subwoofers and passive radiators

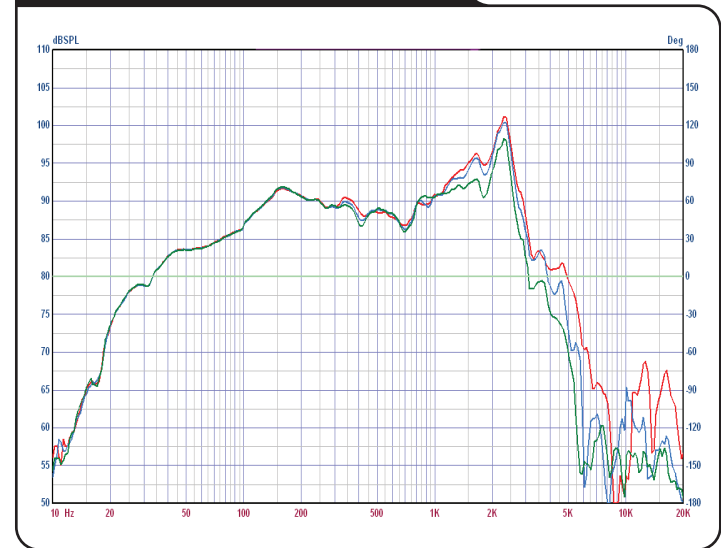


Note: All dimensions in mm.

Parameters

Impedance (Ω)	8
Re (Ω)	5.4
Le (mH) @ 1 kHz	1.15
Fs (Hz)	30.7
Qms	2.31
Qes	0.55
Qts	0.44
Mms (g)	56.4
Cms (mm/N)	0.48
Sd (cm ²)	353.0
Vd (cm ³)	1941.4
BL (Tm)	10.4
VAS (liters)	84.6
XMAX (mm)	5.5
VC Diameter (mm)	38.5
SPL (dB@2.83W/1m)	90.1
RMS Power Handling (w)	100
Usable Frequency Range (Hz)	30 - 3,000

Frequency Response



Impedance/Phase

