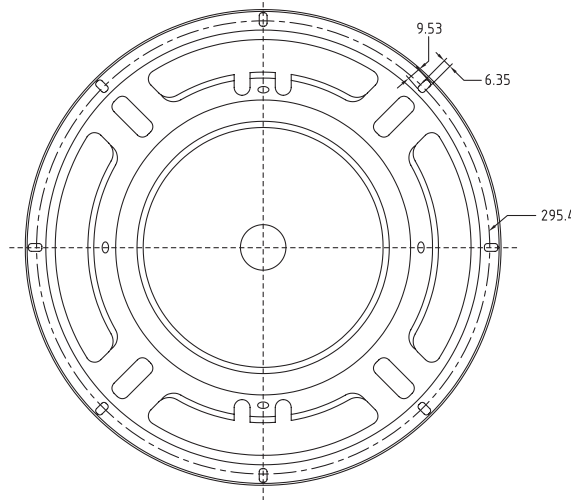
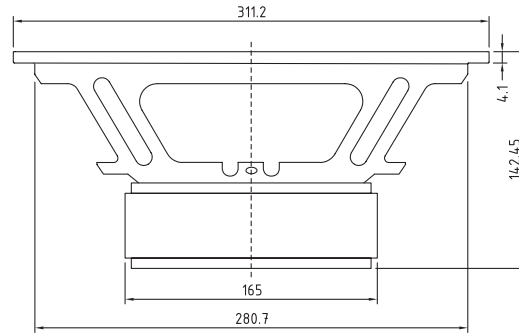


**Features**

- 12" Kevlar impregnated paper cone
- Dual voice coils for added versatility
- High power handling
- Long excursion design
- Heavy magnet structure with vented pole piece
- Made in the USA

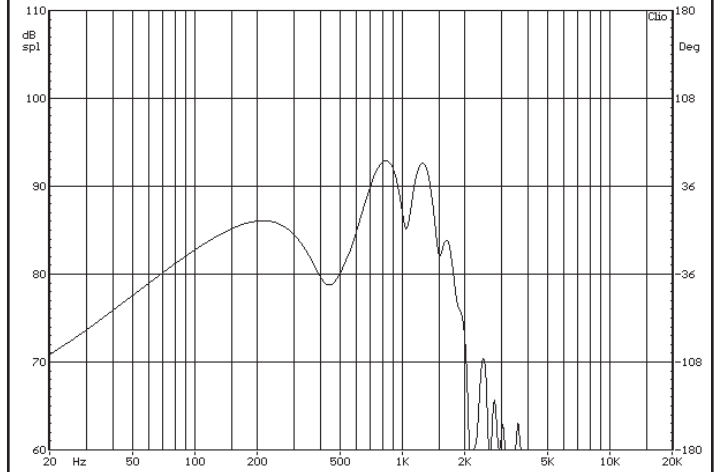
**Parameters**

Impedance ( $\Omega$ )	8
Re ( $\Omega$ )	2.8
Le (mH) @ 1 kHz	1.76
Fs (Hz)	22.2
Qms	8.69
Qes	0.40
Qts	0.38
Mms (g)	259.3
Cms (mm/N)	0.20
Sd (cm <sup>2</sup> )	502.7
Vd (liters)	759.1
BL (Tm)	15.85
VAS (liters)	120.5
XMAX (mm)	15.1
VC Diameter (mm)	51
SPL (dB@1W/1m)	87.4
RMS Power Handling (w)	350
Usable Frequency Range (Hz)	20 - 450



Note: All dimensions in mm.

**Frequency Response**



Note: Due to testing limitations, response below 200 Hz is not an actual representation.

**Impedance/Phase**

