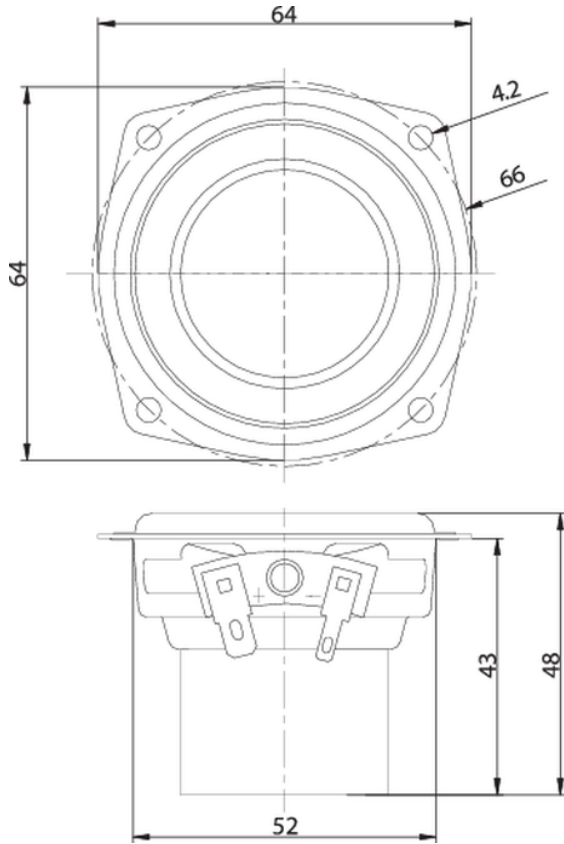




ND65-8 2-1/2" Aluminum Cone Full-Range Driver 8 Ohm

ND65-8



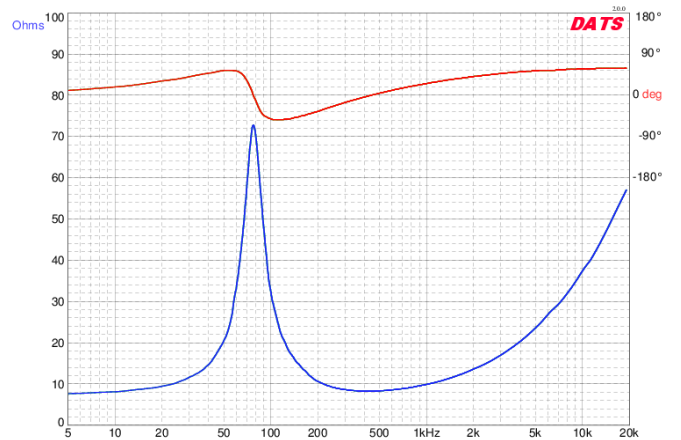
PARAMETERS

Impedance	8 ohms
Re	7.4 ohms
Le	1.04 mH @ 1 kHz
Fs	77.4 Hz
Qms	4.01
Qes	0.46
Qts	0.41
Mms	2.5g
Cms	1.68 mm/N
Sd	15.6 cm ²
Vd	5.4 cm ³
BL	4.47 Tm
Vas	0.71 liters
Xmax	3.5 mm
VC Diameter	19 mm
SPL	80.8 dB @ 2.83V/1m
RMS Power Handling	15 watts
Usable Frequency Range (Hz)	80 - 20,000 Hz

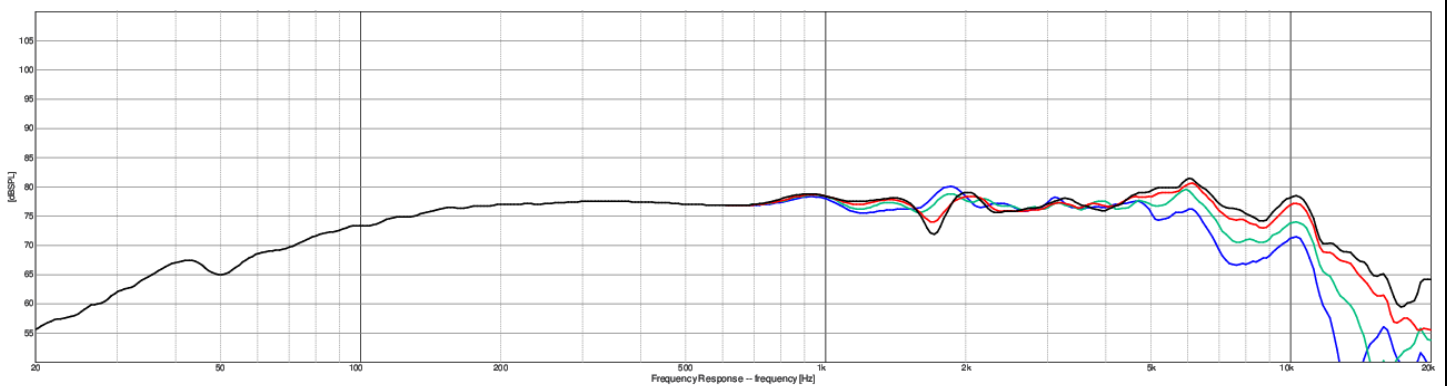
FEATURES

- Rubber-edged aluminum alloy cone
- Large excursion capability
- Self-shielded Neo-Balanced motor structure
- 4-layer underhung voice coil with polyimide former
- High power handling

IMPEDANCE/PHASE



FREQUENCY RESPONSE



Note: 1/24th octave smoothing - nearfield response included in graph below 450 Hz.

Black = 0°
Red = 15°
Green = 30°
Blue = 45°