

Model Number: PMT-40N25AL01-04
 Product Line: Peerless Silver

Revision: Rev 2
 Date: 12-Mar-14

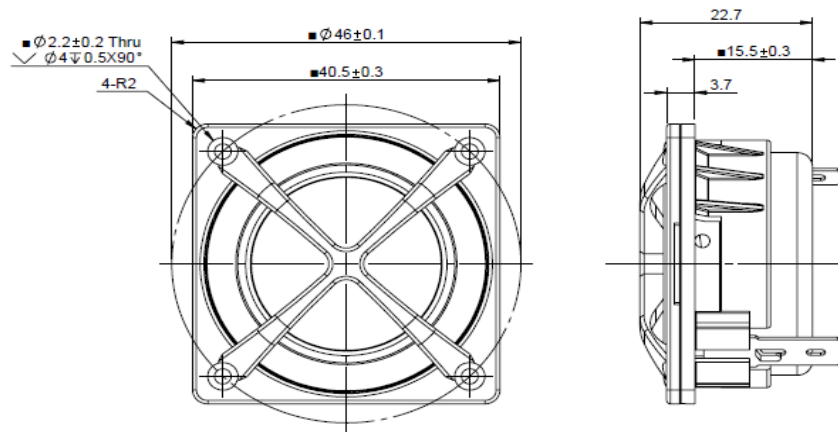


Product Description:

This 25 mm 4 Ω compact Premium Micro Transducer is designed for computer, television array, and similar applications. It features a neodymium-iron-boron magnet, a light aluminium cone, and a high-temperature polycarbonate frame. The PMT family's transducers feature low resonant frequencies and a full range bandwidth.



Mechanical 2D Drawing:



Specifications:

DC Resistance	R_{DC}	Ω	3.7	±7.5%	Energy Bandwidth Product	EBP	$(1/Q_{es}) \cdot f_s$	356	
Minimum Impedance	Z_{min}	Ω	4.4	±7.5%	Moving Mass	M_{ms}	g	1.24	
Voice Coil Inductance	L_e	mH	0.08		Suspension Compliance	C_{ms}	um/N	451.3	
Resonant Frequency	f_s	Hz	215	±15%	Effective Cone Diameter	D	cm	3.2	
Mechanical Q Factor	Q_{ms}	-	2.1		Effective Piston Area	S_D	cm ²	8.0	
Electrical Q Factor	Q_{es}	-	0.60		Equivalent Volume	V_{as}	L	0.047	
Total Q Factor	Q_{ts}	-	0.47		Motor Force Factor	BL	T-m	3.20	
Ratio f_s / Q_{ts}	F	f_s / Q_{ts}	458		Motor Efficiency Factor	β	$(T \cdot m^2) / \Omega$	2.77	
Half Space Sensitivity @ 2.83V	dB@2.83V/1m		dB	85.4	±1.0 ¹	Voice Coil Former Material	VC _{fm}	-	KSV
Sensitivity @ 1W/1m	1W/1m		dB	82.1	±1.0 ¹	Voice Coil Inner Diameter	VC _d	mm	25.50
Rated Noise Power (IEC 2685 18.1)	P	W	5		Gap Height	Gh	mm	2.00	
Test Spectrum Bandwidth	100Hz-20KHz		12 dB/Oct		Maximum Linear Excursion	X_{max}	mm	1.90	
					Ferrofluid Type	FF	-	APG834	
					Transducer Size	-	-	25 mm	
					Transducer Mass	-	Kg	0.066	

1 - Piston Band Sensitivity Tolerance

Frequency and Impedance Response:

