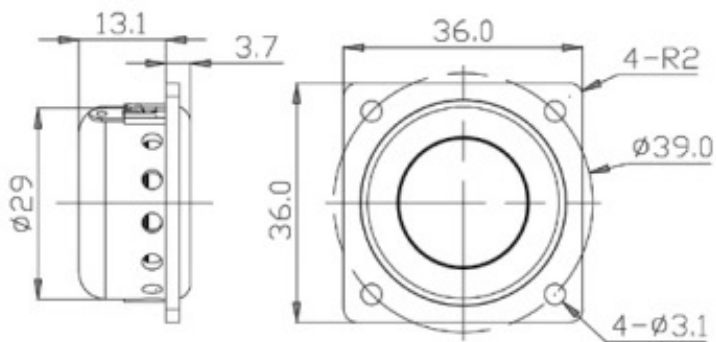


# B1S



B1S	
Nominal Impedance (Z)(Ω) :	8
Resonance Frequency (Fs)(Hz) :	220
Nominal Power Handling (Pnom)(W) :	1
Sensitivity (2.83v/1 m)(dB) :	79
Weight (M)(Kg) :	0.03
VC Diameter (mm) :	19 CCAW
DC (Re)(Ω) :	6.5
VC Length (H)(mm) :	3.4
VC Former :	Kapton
VC Layers :	2
Magnet System :	Shielded Neodymium
Force Factor (BL)(TM) :	2.3
Gap Height (He)(mm) :	1.5
Linear Excursion (Xmax)(mm) :	0.95
Suspension Compliance (Cms) (uM/N) :	1057
Mechanical Q (Qms) :	2.57
Electrical Q (Qes) :	0.68
Total Q (Qts) :	0.56
Moving Mass (Mms)(g) :	0.5
Effective Piston Area (Sd)(m2) :	0.0005
Equivalent Air Volume (Vas)(L) :	0.04
Sealed Box :	Vb=0.04L
:	F-3=190Hz

