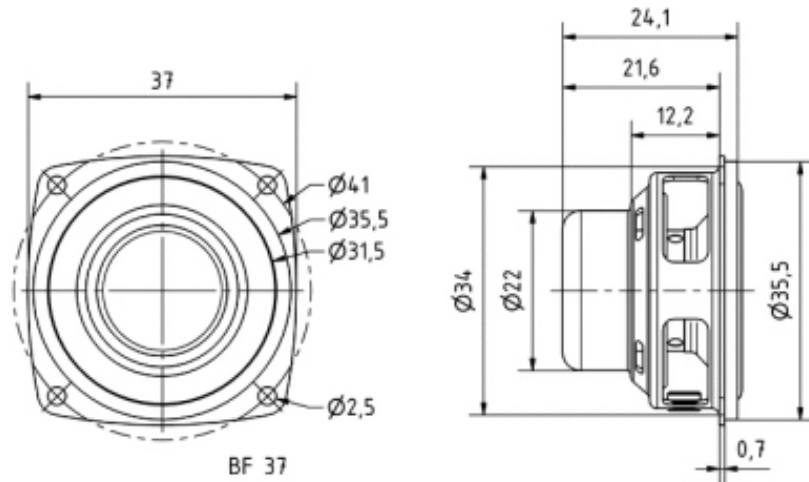


Technical Data

Rated power	5 W
Maximum power	8 W
Nominal impedance Z	4 Ohm
Frequency response	100–20000 Hz
Mean sound pressure level	74 dB (1 W/1 m)
Excursion limit	+/-3.4 mm
Resonance frequency fs	155 Hz
Net weight	33.1 g
D.C. resistance Rdc	3.8 Ohm
Mechanical Q factor Qms	5.11
Electrical Q factor Qes	0.86
Total Q factor Qts	0.74
Equivalent volume Vas	0.06 l
Effective piston area Sd	6.2 cm²
Dynamically moved mass Mms	1.0 g
Force factor Bxl	1.99 Tm
Inductance of the voice coil L	0.17 mH
Connections	Soldering ears
Protective system	IP X4 *)

BF37 (#2260)



BF 37
16.01.2018

