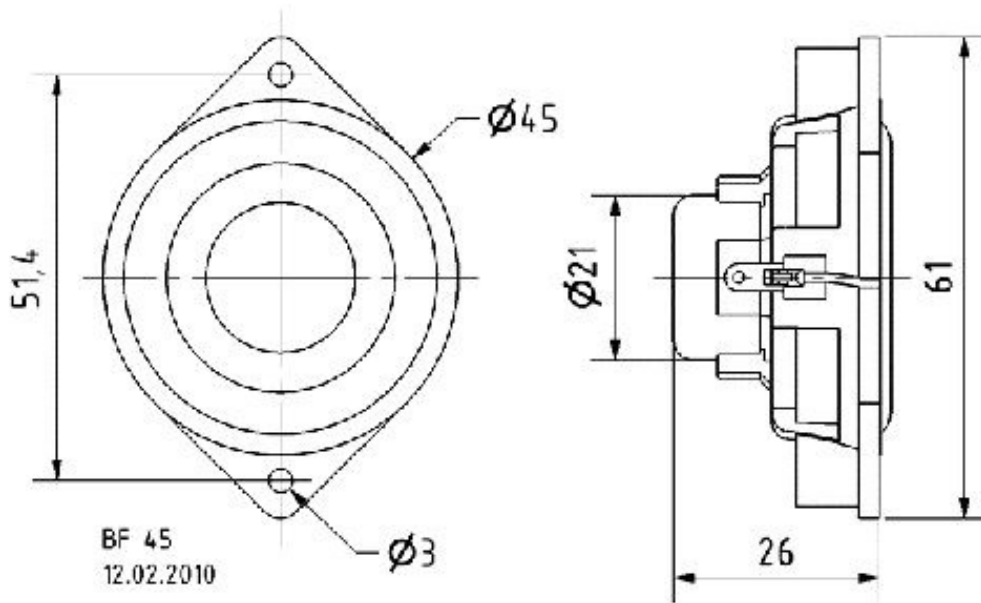


**Technical Data:**

Rated power	4 W
Maximum power	8 W
Nominal impedance Z	4 Ohm
Frequency response	90–20000 Hz
Mean sound pressure level	79 dB (1 W/1 m)
Resonance frequency $f_s$	158 Hz
Height of front pole-plate	3 mm
Voice coil diameter	17 mm
Height of winding	4 mm
Cutout diameter	45 mm
Net weight	0,032 kg



**Visaton BF 45**

Frequenzgang und Impedanz

