



# BLUETOOTH HEADPHONES

Model: BTH1 User Manual



Thank you for purchasing the **Dayton Audio BTH1 Bluetooth Headphones**. Their Bluetooth technology frees you from the tangle of traditional headphone cables, and with CRS aptX, you can expect the very best audio quality when streaming music. Features like convenient onboard controls, a built-in microphone, and a tough rubberized headband make these awesomely affordable headphones great for home or on the go.

### **Features:**

- CSR aptX Bluetooth codec streams near CD-like quality audio
- Foldable design and durable hard shell case prevent damage while traveling
- On-board controls: volume up/down, next/previous track, play/pause, and phone call
- Tough, rubberized headband and ear cups
- 6-8 hours of playtime on a single charge
- 3.5 mm jack gives the option of a traditional wired connection
- Built-in microphone lets you talk hands free when paired with a phone

### **Package Contents:**

- Dayton Audio BTH1 Bluetooth Headphones
- Micro USB charging cable
- Male to male 3.5 mm AUX audio cable
- Hard shell travel case

### **Bluetooth Pairing:**

To turn ON the headphones, press and hold the power button. You will hear a tone and the LED indicator light will alternately flash red and blue. Keep your Bluetooth headphones and Bluetooth enabled device within 3 feet of each other during the pairing process. Set your Bluetooth enabled device to search for Bluetooth devices. When the Bluetooth enabled device finds the headphone, select "BTH1" from the list of found devices. If required, enter the password 0000. Select Ok or Yes to pair with your device.

After a successful registration, a tone will be heard and the LED indicator light will slowly blink blue.

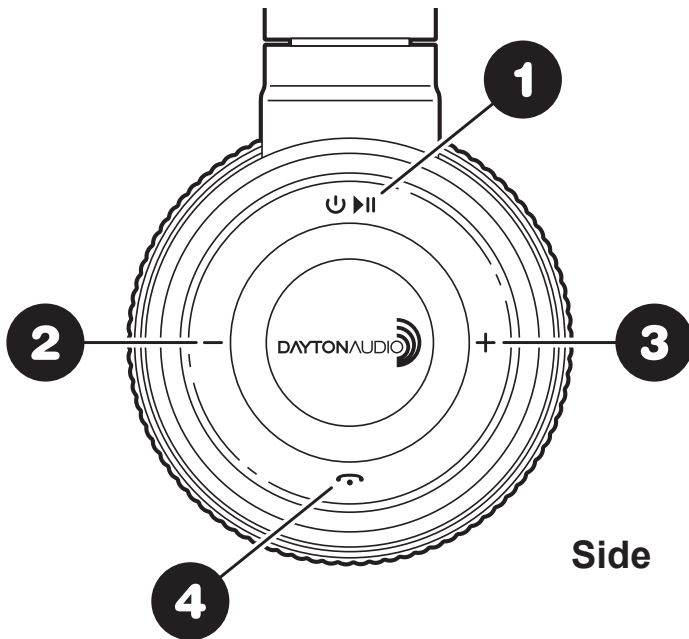
**Note:** If you would like to connect the headphones to another device, you must unpair the headphones from the currently paired device first. On your device's Bluetooth settings, select "BTH1", then select "unpair". When the headphones have been unpaired, they automatically go into pairing mode again.

### **Using as Wired Headphones:**

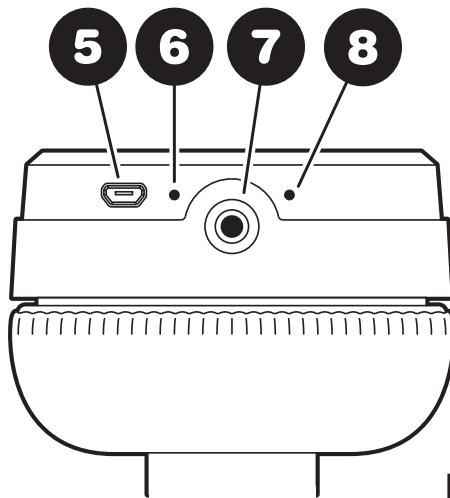
Switch ON the headphones. Connect one end of the included 3.5 mm AUX cable to the AUX In jack on the headphones, and the other end of the cable to an external device's headphone jack. Open a media player on your device and click PLAY to start playing your music.

### **Charging:**

Connect the small end of the Micro USB cable to the charging port on the headphones. Connect the large end of the micro USB cable to your computer's USB port or an AC adapter (not included). The LED indicator light turns RED when charging. It will turn off when fully charged.



Side



Bottom

### Controls and Connections:

1. **Power:** Long press to power ON/OFF. Short press to play/pause track
2. **Volume/track down:** Long press to decrease volume. Short press for previous track
3. **Volume/track up:** Long press to increase volume. Short press for next track
4. **Phone:** Short press to answer/ hang up call. Double press to dial last phone number
5. **Micro USB charging port**
6. **Indicator light:** Red - power ON/OFF, alternating red/blue - ready to pair, flashing blue - paired
7. **3.5 mm AUX jack:** Use for traditional wired connection to source device
8. **Microphone:** Allows hands-free calling

## Specifications:

<b>Driver Size:</b>	40 mm
<b>Bluetooth:</b>	CSR 8645BT 4.0
<b>Play Time:</b>	6-8 hours
<b>Standby Time:</b>	18-20 hours
<b>Battery:</b>	300 mAh
<b>Operation Range:</b>	32 ft.
<b>Frequency Range:</b>	2.4-2.48 GHz

## Warning!

**Please read these warnings before using your headphones. Please pay close attention to these warnings while using this product.**

- Do not repair or disassemble these headphones.
- Do not place the headphones in direct sunlight for extended periods of time. Keep them away from heating devices and out of hot, humid, or dusty places.
- Never listen to the headphones at excessive volume levels, doing so may damage your hearing.
- Listening to loud sounds for an extended period may cause temporary or permanent hearing loss.

### Warranty Information

Dayton Audio products are warranted free from defects in material and workmanship for **5 years** from date of purchase (see exceptions below). In the rare case of a product failure, please contact your place of purchase or call our Customer Support Department at (937) 743-8248.

### Warranty Limitations

There are no other warranties, either express or implied, that extend the foregoing, and there are no warranties of merchantability or fitness for any particular purpose. Dayton Audio is not responsible for any consequential or inconsequential damage to any other unit or component or the cost for installation or extraction of any component of the audio system, or for the improper use of products. This includes but is not limited to burnt voice coils, overheating, bent frames, holes in the cone, or broken lead wires. Warranty does not apply to misuse, abuse, neglect, accident, improper use, etc. Dayton Audio reserves the right to repair or replace the products with either a new or factory refurbished unit.

**Exception:** Dayton Audio HDMI Cables -- No registration, no questions asked LIFETIME warranty. Replacement of Dayton Audio HDMI cables is with equal or better quality HDMI cables. Unassembled Kits - A 45-day return policy applies to unassembled kits. Once assembly has been started or completed, kits are deemed used and are nonreturnable for refund/exchange. This does not limit the manufacturers' warranty policies on any kit component.

This warranty gives you specific legal rights and you may also have other rights that vary from state to state.

**Non-Warranty Service:** If non-warranty service is required, the product may be sent to the Company for repair/replacement, transportation prepaid, by calling (937) 743-8248 for details, complete instructions, and service fee charges.



**daytonaudio.com**  
tel + 937.743.8248  
info@daytonaudio.com

705 Pleasant Valley Dr.  
Springboro, OH 45066  
USA

