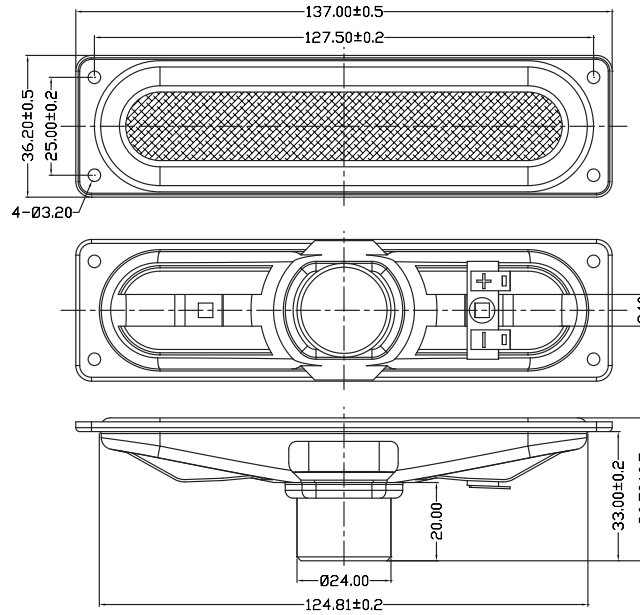


# CE140-30S-8

# 1" x 5" Extended Range Driver 8 Ohm



## Parameters

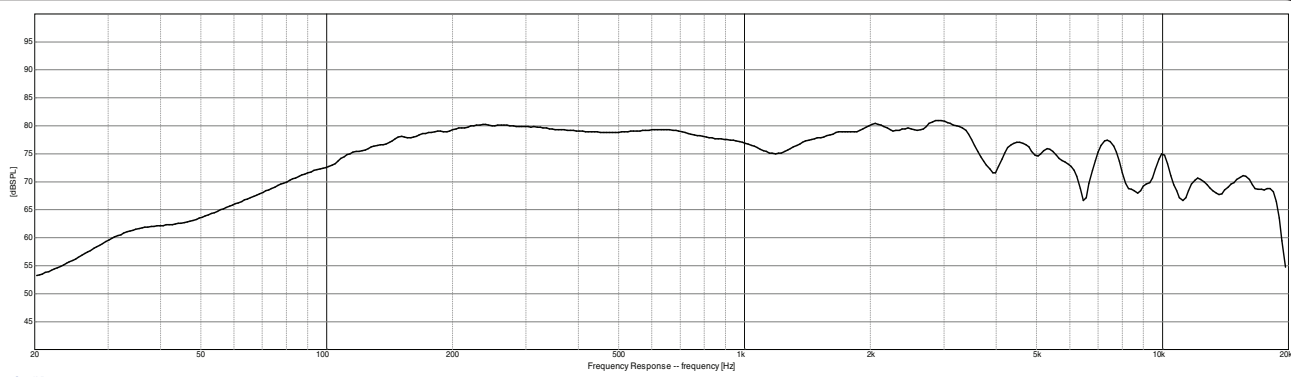
Impedance (Ω)	8
Re (Ω)	7.75
Le (mH) @ 1 kHz	0.78
Fs (Hz)	105
Qms	4.64
Qes	1.35
Qts	1.04
Mms (g)	5.08
Cms (mm/N)	0.47
Sd (cm <sup>2</sup> )	25.1
Vd (cm <sup>3</sup> )	5.02
BL (Tm)	4.34
VAS (liters)	0.41
XMAX (mm)	2
VC Diameter (mm)	20
SPL (dB 1W/1m)	76
RMS Power Handling (w)	10
Usable Frequency Range (Hz)	100-8,000

## Features

- Rigid glass-fiber honeycomb sandwich diaphragm
- Neodymium magnet structure
- Rugged stamped steel frame with mounting holes
- High-aspect-ratio design for narrow mounting areas
- Extended frequency range
- 8 ohm impedance compatible with most amplifiers

Note: All dimensions in mm.

## Frequency Response



Note: Nearfield response included in graph below 450 Hz.

## Impedance/Phase

