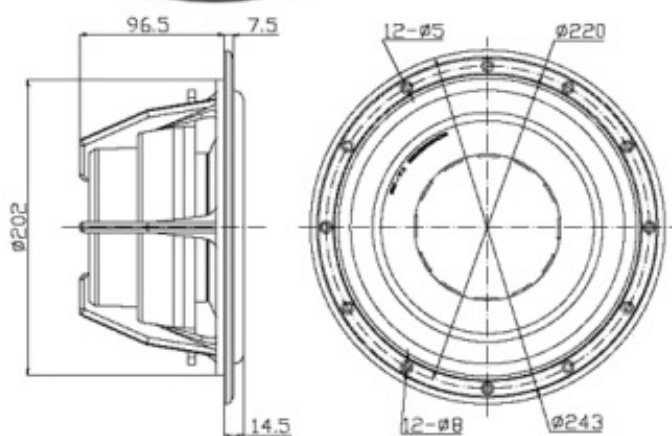


D8.8



D8.8	
Nominal Impedance (Z)(Ω) :	8
Resonance Frequency (Fs) (Hz) :	30
Nominal Power Handling (Pnom)(W) :	150
Sensitivity (2.83w/1m)(dB) :	87
Weight (M)(Kg) :	3.5
VC Diameter (mm) :	100CCA W
DC (Re)(Ω) :	6.5
VC Length (H)(mm) :	23.5
VC Former :	Kapton
VC Layers :	2
Force Factor (BL)(TM) :	11.7
Gap Height (He)(mm) :	7.0
Linear Excursion (Xmax) (mm) :	8.3
Suspension Compliance (Cms)(uM/N) :	545
Mechanical Q (Qms) :	1.97
Electrical Q (Qes) :	0.46
Total Q (Qts) :	0.38
Moving Mass (Mms)(g) :	50.9
Effective Piston Area (Sd) (m ²) :	0.0241
Equivalent Air Volume (Vas) (L) :	46.8
Vented Box :	Vb=30L, FB=36Hz F-3=35Hz

