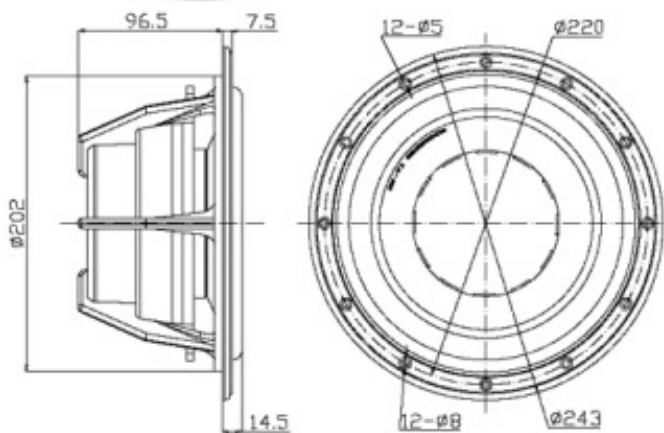


D8.8+



D8.8+

Nominal Impedance (Z)(Ω) :	8
Resonance Frequency (Fs) (Hz) :	31
Nominal Power Handling (Pnom)(W) :	150
Sensitivity (2.83v/1m)(dB) :	86
Weight (M)(Kg) :	4.2
VC Diameter (mm) :	100 CCAW
DC (Re)(Ω) :	6.5
VC Length (H)(mm) :	23
VC Former :	Kapton
VC Layers :	2
Magnet System :	Shielded Ferrite
Force Factor (BL)(TM) :	13.3
Gap Height (Hg)(mm) :	8.0
Linear Excursion (Xmax) (mm) :	7.5
Suspension Compliance (Cms)(uMN) :	425
Mechanical Q (Qms) :	6.16
Electrical Q (Qes) :	0.44
Total Q (Qts) :	0.40
Moving Mass (Mms)(g) :	62.7
Effective Piston Area (Sd) (m ²) :	0.0241
Equivalent Air Volume (Vas) (L) :	34.9
Vented Box :	Vb=40L, Fb=30HzF-3=28Hz

