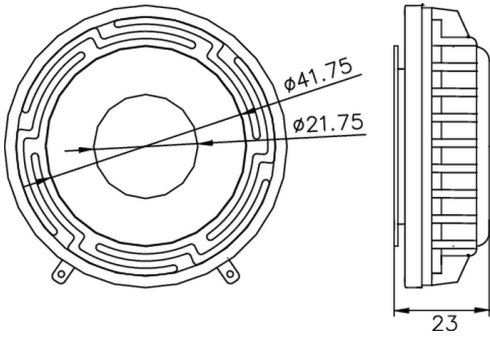




DAEX32EP-4 Thruster 32mm Exciter 40W 4 Ohm

DAEX32EP-4

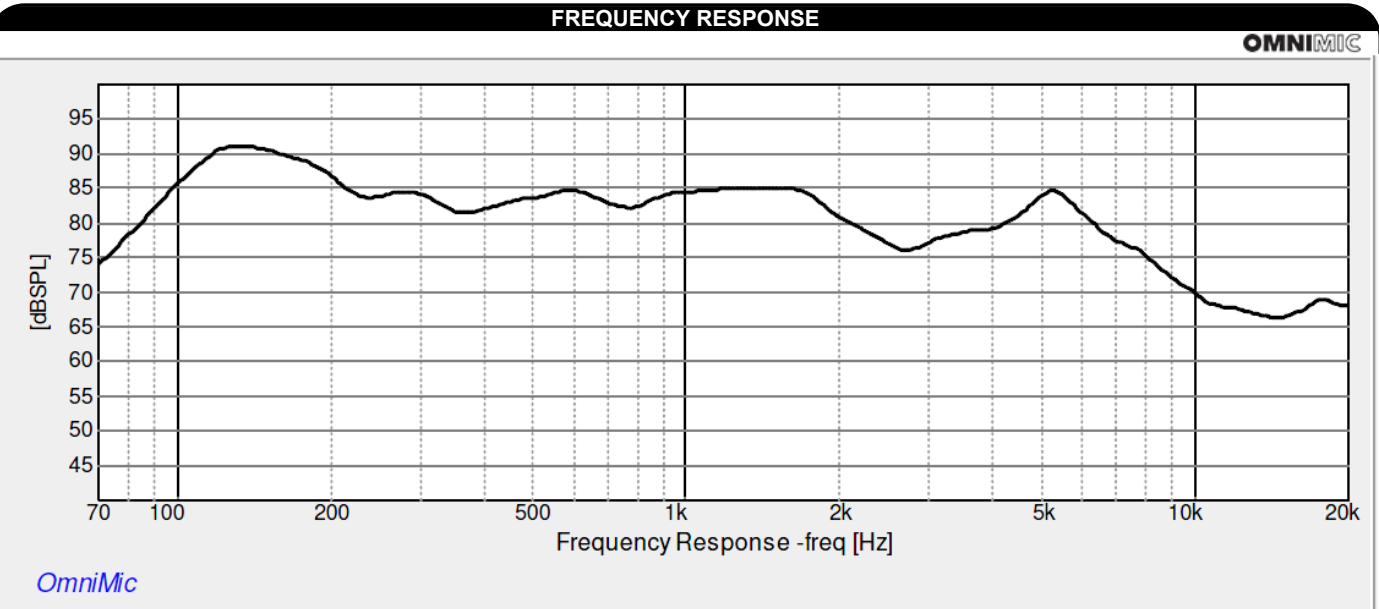
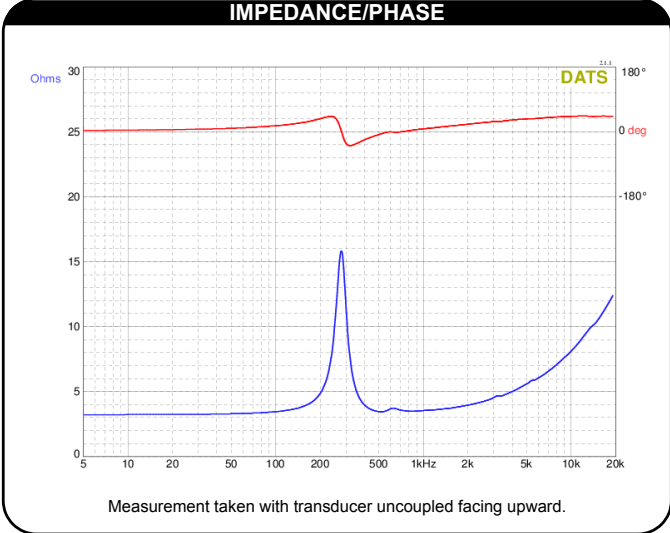


- ### FEATURES
- Robust, heavy-duty design with a 32 mm voice coil attached to a steel spider
 - Pre-applied 3M™ VHB™ adhesive for quick, secure installation
 - Rare-earth neodymium motor and a proprietary two-layer voice coil
 - 4 ohms impedance for use with small, Class D amplifiers
 - 40 watt RMS power handling for high output

- ### APPLICATIONS
- Invisible home theater and multi-room audio
 - Electronic gaming machines
 - Advertising signage
 - Point-of-purchase displays
 - Multimedia exhibits
 - Commercial distributed audio
 - Kiosks
 - Automotive audio
 - Bathroom tubs and showers

PARAMETERS

Impedance	4 ohms
Re	3.3 ohms
Le	0.21 mH @ 1 kHz
Fs	395 Hz
Qms	N/A
Qes	N/A
Qts	1.38
Mms	5.4 g
Cms	0.08 mm/N
Sd	N/A
Vd	N/A
BL	4.2 Tm
Vas	N/A
Xmax	N/A
VC Diameter	32 mm
SPL	N/A
RMS Power Handling	40 watts
Usable Frequency Range (Hz)	N/A



1/3rd octave smoothing - measurement taken with transducer adhered off-center on a 12" x 12" x 1/2" foam core board in an infinite baffle setup.

Note: This information is for comparison purposes only, the actual frequency response will depend on many factors of which the diaphragm being the greatest contributor.