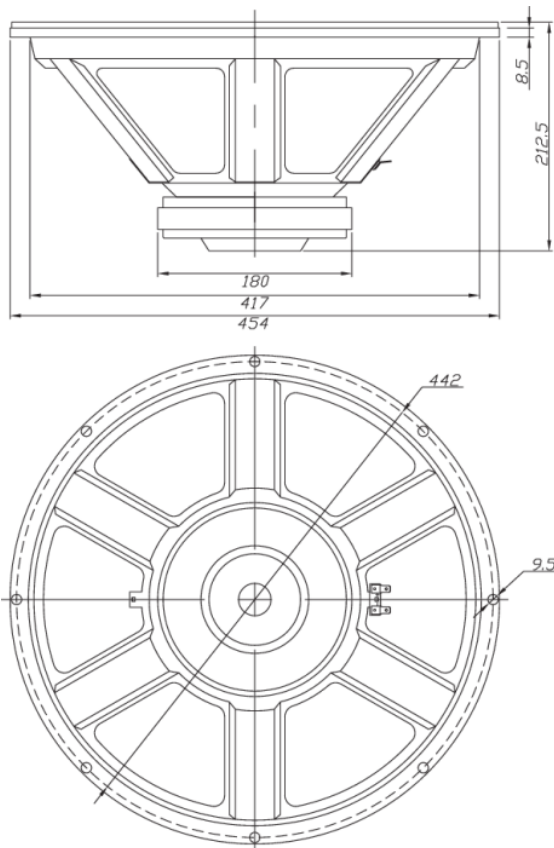




DCS450-4 18" Classic Subwoofer 4 Ohm

DCS450-4



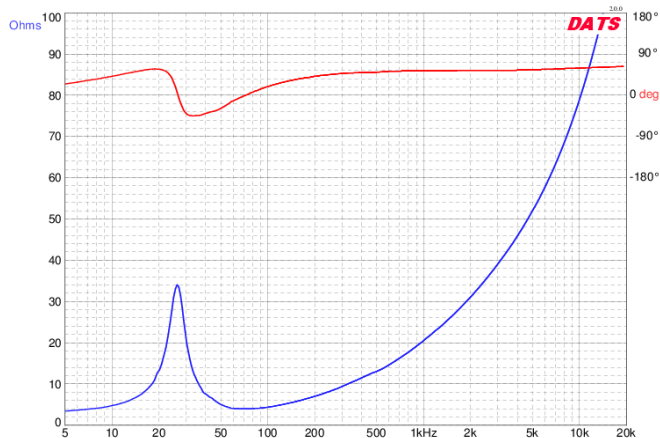
PARAMETERS

Impedance	4 ohms
Re	3 ohms
Le	3.23 mH @ 1 kHz
Fs	26.2 Hz
Qms	4.98
Qes	0.48
Qts	0.44
Mms	273g
Cms	0.14 mm/N
Sd	1,134.1 cm ²
Vd	935.6 cm ³
BL	16.8 Tm
Vas	248 liters
Xmax	8.25 mm
VC Diameter	76 mm
SPL	95.9 dB @ 2.83V/1m
RMS Power Handling	300 watts
Usable Frequency Range (Hz)	22 - 500 Hz

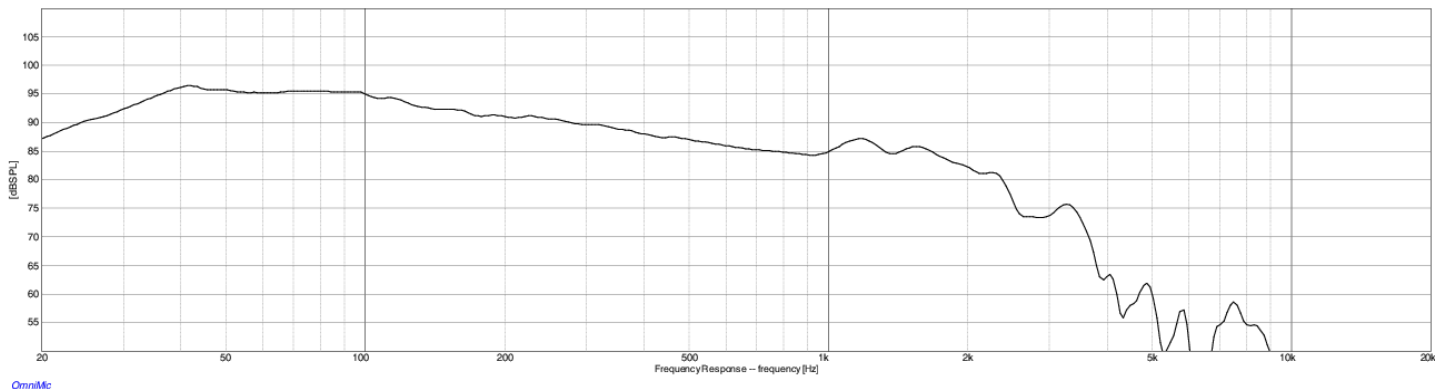
FEATURES

- Heavy-duty treated paper cone for high stiffness-to-weight ratio
- 3" aluminum former, 4-layer voice coil, and large vented pole piece for high power handling
- Large diameter flat spider and healthy Xmax for clean bass
- High sensitivity

IMPEDANCE/PHASE



FREQUENCY RESPONSE



Note: 1/12th octave smoothing - nearfield response included in graph below 450 Hz.

Black = 0°