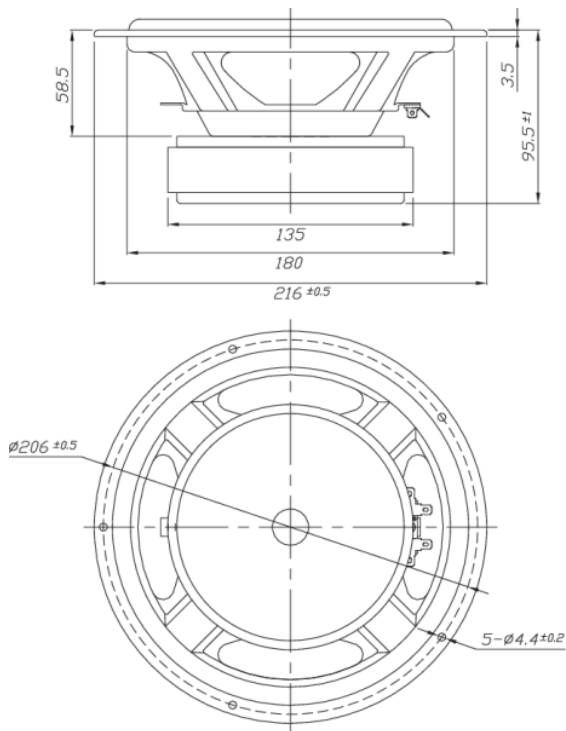




DSA215-8 8" Designer Series Aluminum Cone Woofer 8 Ohm

DSA215-8



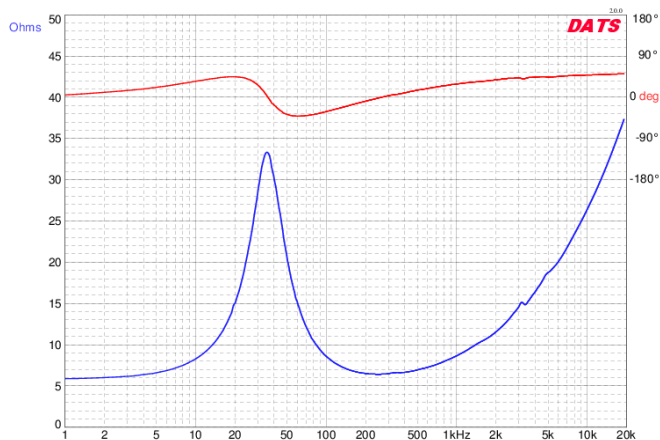
PARAMETERS

Impedance	8 ohms
Re	5.9 ohms
Le	1 mH @ 1 kHz
Fs	35 Hz
Qms	1.87
Qes	0.40
Qts	0.33
Mms	34.6g
Cms	0.6 mm/N
Sd	211.2 cm ²
Vd	1,161.8 cm ³
BL	10.6 Tm
Vas	37.4 liters
Xmax	5.5 mm
VC Diameter	38.5 mm
SPL	89.2 dB @ 2.83V/1m
RMS Power Handling	80 watts
Usable Frequency Range (Hz)	35 - 7,000 Hz

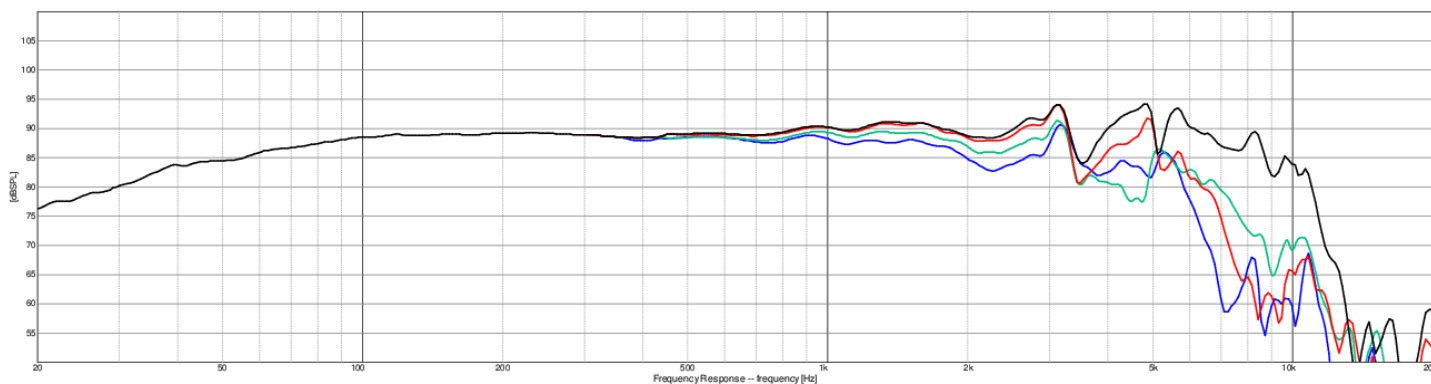
FEATURES

- Cosmetic frame with low profile lip, designed for front mounting—no countersinking required!
- Low distortion motor system with copper shorting ring
- Black anodized aluminum cone, half roll rubber surround for durability and accurate reproduction
- Optimized to yield the smallest possible box volume and lowest 3 dB down point
- Smooth frequency response and linear roll-off simplify filter design, guaranteeing good results with off-the-shelf crossovers

IMPEDANCE/PHASE



FREQUENCY RESPONSE



Note: 1/24th octave smoothing - nearfield response included in graph below 450 Hz.

Black = 0°
Red = 15°
Green = 30°
Blue = 45°