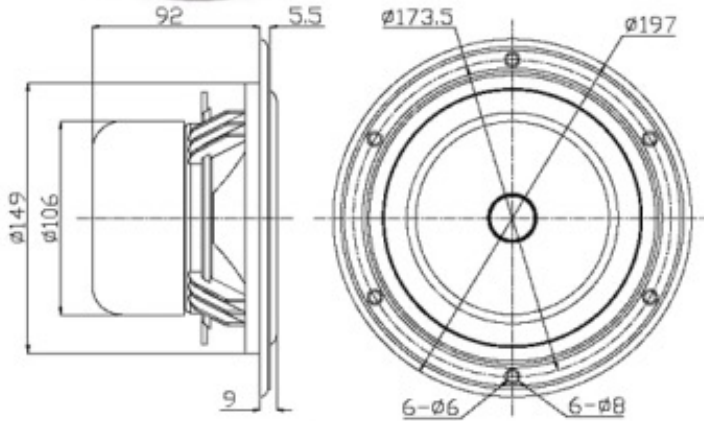


F6



F6	
Nominal Impedance (Z)(Ω) :	8
Resonance Frequency (Fs)(Hz) :	45
Nominal Power Handling (Pnom)(W) :	45
Sensitivity (2.83v/1m)(dB) :	88
Weight (M)(kg) :	2.1
VC Diameter (mm) :	25 SV
DC (Re)(Ω) :	6.5
VC Length (H)(mm) :	14.5
VC Former :	Kapton
VC Layers :	2
Magnet System :	Shielded Ferrite
Force Factor (BL)(TM) :	9.0
Gap Height (He)(mm) :	6.0
Linear Excursion (Xmax)(mm) :	4.3
Suspension Compliance (Cms)(μMN) :	658
Mechanical Q (Qms) :	3.91
Electrical Q (Qes) :	0.38
Total Q (Qts) :	0.35
Moving Mass (Mms)(g) :	18.3
Effective Piston Area (Sd)(m2) :	0.0139
Equivalent Air Volume (Vas)(L) :	16.4
Vented Box :	Vb=15L,Fb=45Hz
:	F-3=42Hz

