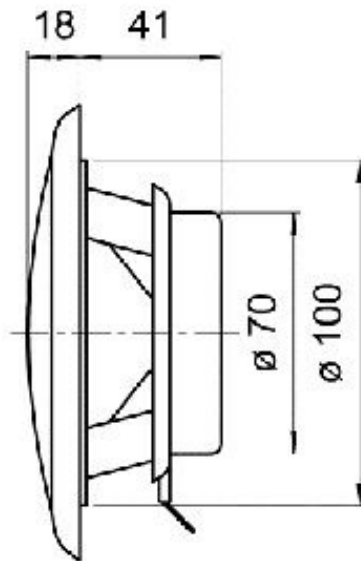
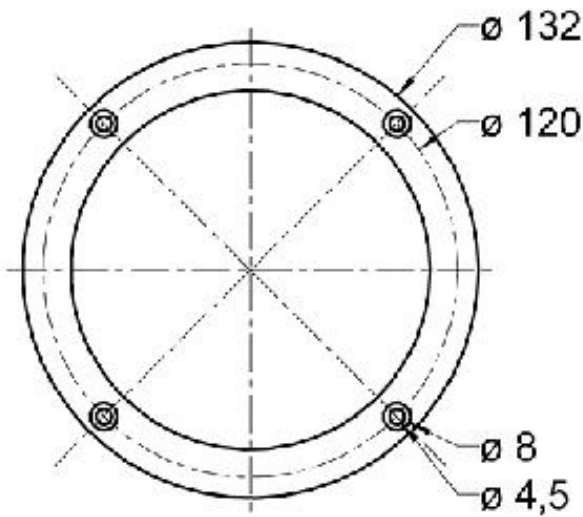


Technical Data:

| | |
|----------------------------|--------------------------------------|
| Rated power | 20 W |
| Maximum power | 30 W |
| Nominal impedance Z | 4 Ohm |
| Frequency response | 80–16000 Hz |
| Mean sound pressure level | 83 dB (1 W/1 m) |
| Opening angle (-6 dB) | 83°/4000 Hz |
| Resonance frequency fs | 120 Hz |
| Height of front pole-plate | 4 mm |
| Voice coil diameter | 20 mm |
| Height of winding | 5 mm |
| Cutout diameter | 101 mm |
| Net weight | 0,275 kg |
| Connections | 4,8 x 0,8 mm (+) 2,8 x 0,8 mm (-) |
| Protective system | IP 65 *) |
| Temperature range | -40 ... 120 °C |
| Colour | weiß/white |



FR 10 WPX
17.07.2009

Visaton FR 10 WPX
Frequenzgang und Impedanz

