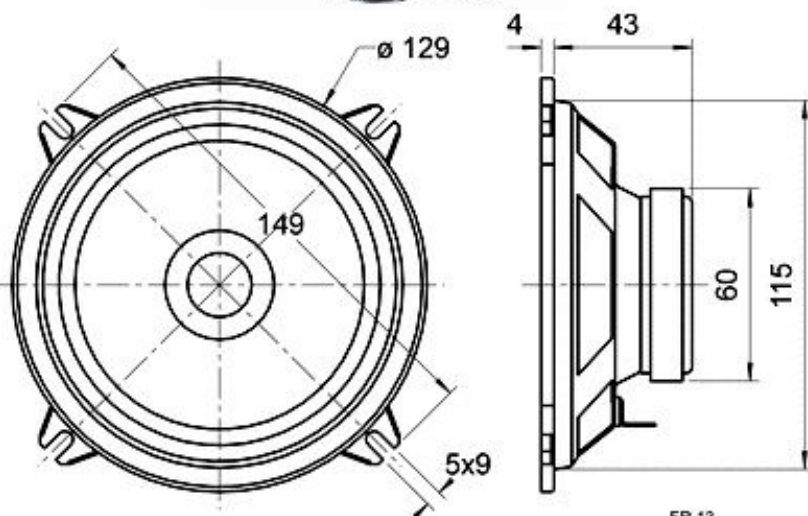


FR13 (#4800)

Technical Data:

Rated power	30 Watt
Maximum power	50 Watt
Nominal impedance	4 Ohm
Frequency response (-10 dB)	65 - 20000 Hz
Mean sound pressure level	88 dB (1W/1m)
Resonance frequency f_s	100 Hz
Height of front pole-plate	3 mm
Voice coil diameter	20 mm
Height of winding	6 mm
Cutout diameter	116 mm
Net weight	0,31 kg
D.C. resistance R_{dc}	3,9 Ohm
Mechanical Q factor Q_{ms}	5,39
Electrical Q factor Q_{es}	2,08
Total Q factor Q_{ts}	1,50
Equivalent volume V_{as}	6,1 l
Effective piston area S_d	87 cm ²
Dynamically moved mass M_{ms}	4,5 g
Force factor B_{xl}	2,3 Tm
Inductance of the voice coil L	0,22 mH



FR 13
18.06.04

