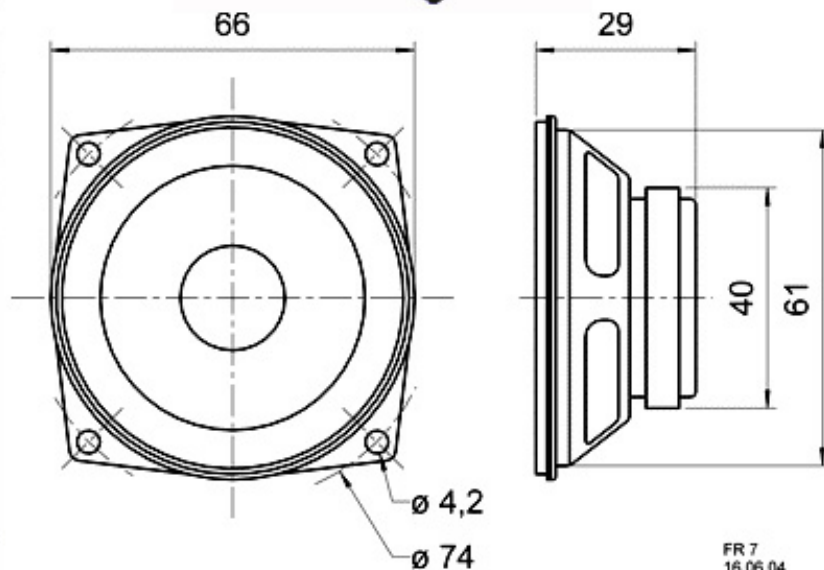


FR7 (#2015)

Technical Data:

Rated power	5 W
Maximum power	10 W
Nominal impedance Z	4 Ohm
Frequency response	130-20000 Hz
Mean sound pressure level	86 dB (1 W/1 m)
Resonance frequency f_s	220 Hz
Voice coil diameter	14 mm
Cutout diameter	61 mm
Net weight	0,092 kg
D.C. resistance R_{dc}	3,4 Ohm
Mechanical Q factor Q_{ms}	7,05
Electrical Q factor Q_{es}	3,61
Total Q factor Q_{ts}	2,39
Equivalent volume V_{as}	0,4 l
Effective piston area S_d	22 cm ²
Dynamically moved mass M_{ms}	1,0 g
Force factor B_{xl}	1,1 T m
Inductance of the voice coil L	0,1 mH
Heat resistance	-25 ... 70 °C



FR 7
16.06.04

Visaton FR 7

Frequenzgang und Impedanz

