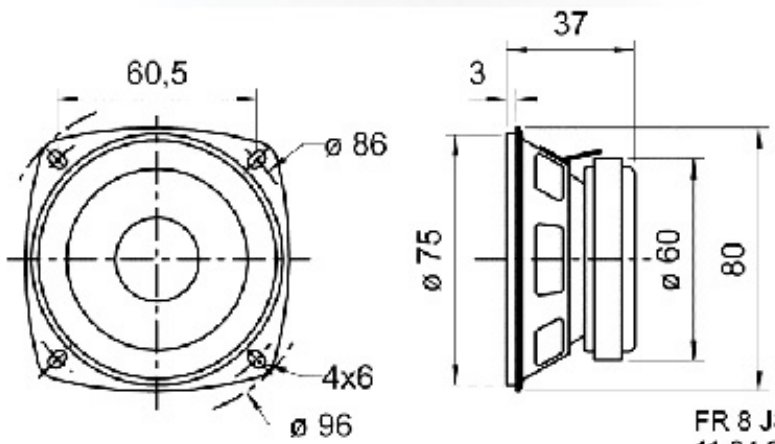


FR8JS (#2000)

Technical Data:

Rated power	10 W
Maximum power	15 W
Nominal impedance Z	8 Ohm
Frequency response	80-20000 Hz
Mean sound pressure level	83 dB (1 W/1 m)
Maximum cone displacement	4 mm
Resonance frequency fs	130 Hz
Magnetic induction	1,4 T
Magnetic flux	200 μWb
Height of front pole-plate	3 mm
Voice coil diameter	15 mm
Height of winding	5 mm
Cutout diameter	75 mm
Net weight	0,24 kg
D.C. resistance Rdc	7,2 Ohm
Mechanical Q factor Qms	4,30
Electrical Q factor Qes	1,74
Total Q factor Qts	1,24
Equivalent volume Vas	0,84 l
Effective piston area Sd	30 cm ²
Dynamically moved mass Mms	2,3 g
Force factor Bxl	2,77 T m
Inductance of the voice coil L	0,6 mH
Heat resistance	-25 ... 70 °C



FR 8 JS
11.04.2008

Visaton FR 8 JS
Frequenzgang und Impedanz

