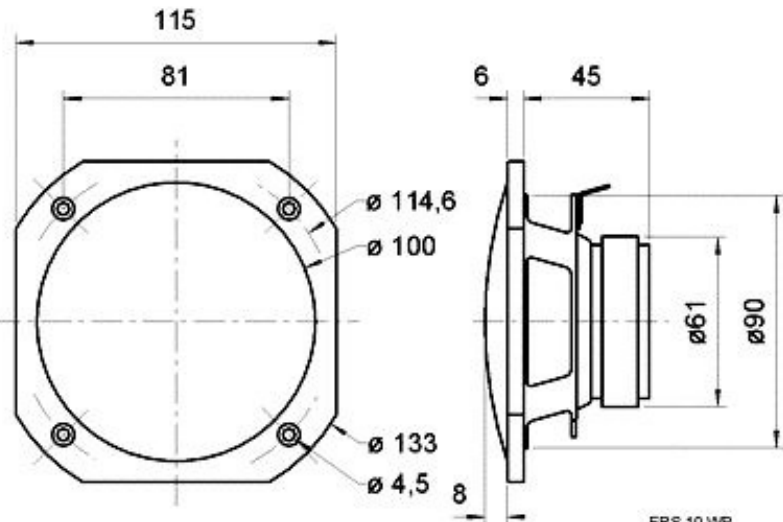


Technical Data:

Rated power	25 Watt
Maximum power	50 Watt
Nominal impedance	8 Ohm
Frequency response (-10 dB)	90 - 19000 Hz
Mean sound pressure level	90 dB (1W/1m)
Maximum cone displacement	6 mm
Resonance frequency f_s	190 Hz
Magnetic induction	0,9 Tesla
Magnetic flux	160 μ Weber
Height of front pole-plate	3 mm
Voice coil diameter	1,9 cm
Height of winding	0,5 cm
Cutout diameter	9,2 cm
Net weight	0,36 kg
D.C. resistance R_{dc}	6,8 Ohm
Mechanical Q factor Q_{ms}	3,19
Electrical Q factor Q_{es}	1,08
Total Q factor Q_{ts}	0,81
Equivalent volume V_{as}	1,6 l
Effective piston area S_d	57 cm ²
Dynamically moved mass M_{ms}	3 g
Force factor $B \cdot l$	4,3 T · m
Inductance of the voice coil L	0,4 mH
Protective system	IP 65
Heat resistance	120°C
Colour	schwarz / black



FRS 10 WP
28.01.03

