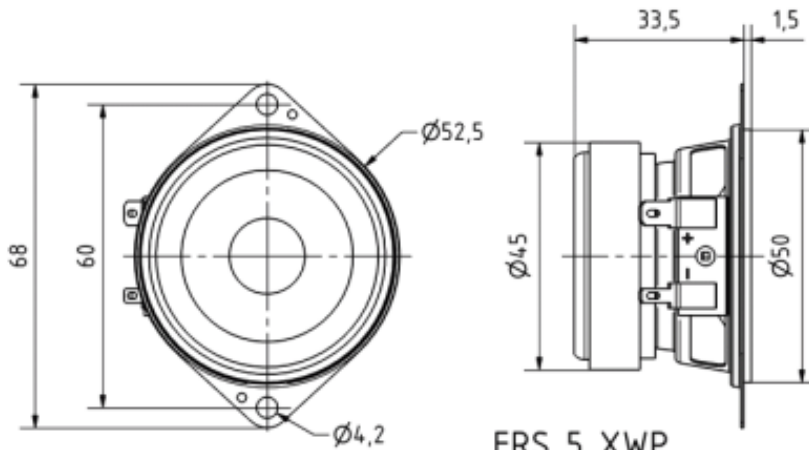


Rated power	5 W
Maximum power	8 W
Nominal Impedance Z	8 Ohm
Frequency response	120–20000 Hz
Mean sound pressure level	86 dB (1 W/1 m)
Resonance frequency fs	190 Hz
Net weight	0.14 kg
D.C. resistance Rdc	7.9 Ohm
Connections	4.8 x 0.8 mm (+) 2.8 x 0.8 mm (-)
Protective system	IP 65 *)
Temperature range	-25 ... 70 °C



FRS 5 XWP  
14.06.2016

