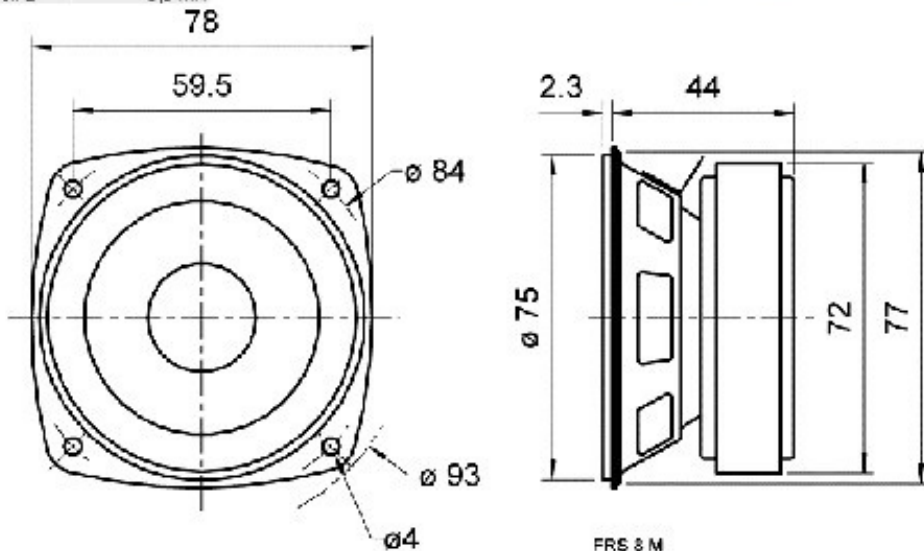


Technical Data:

| | |
|--------------------------------|--------------------|
| Rated power | 30 Watt |
| Maximum power | 50 Watt |
| Nominal impedance Z | 8 Ohm |
| Frequency response | 140 - 20000 Hz |
| Mean sound pressure level | 88 dB (1W/1m) |
| Resonance frequency fs | 125 Hz |
| Height of front pole-plate | 3 mm |
| Height of winding | 4 mm |
| D.C. resistance Rdc | 7.2 Ohm |
| Mechanical Q factor Qms | 3,24 |
| Electrical Q factor Qes | 0,58 |
| Total Q factor Qts | 0,49 |
| Equivalent volume Vas | 1,1 l |
| Effective piston area Sd | 29 cm ² |
| Dynamically moved mass Mms | 1,8 g |
| Force factor Bxl | 4 T · M |
| Inductance of the voice coil L | 0,3 mH |



FRS 8 M
09.06.2005

Visaton FRS 8 M - 8 Ohm

Frequenzgang und Impedanz

