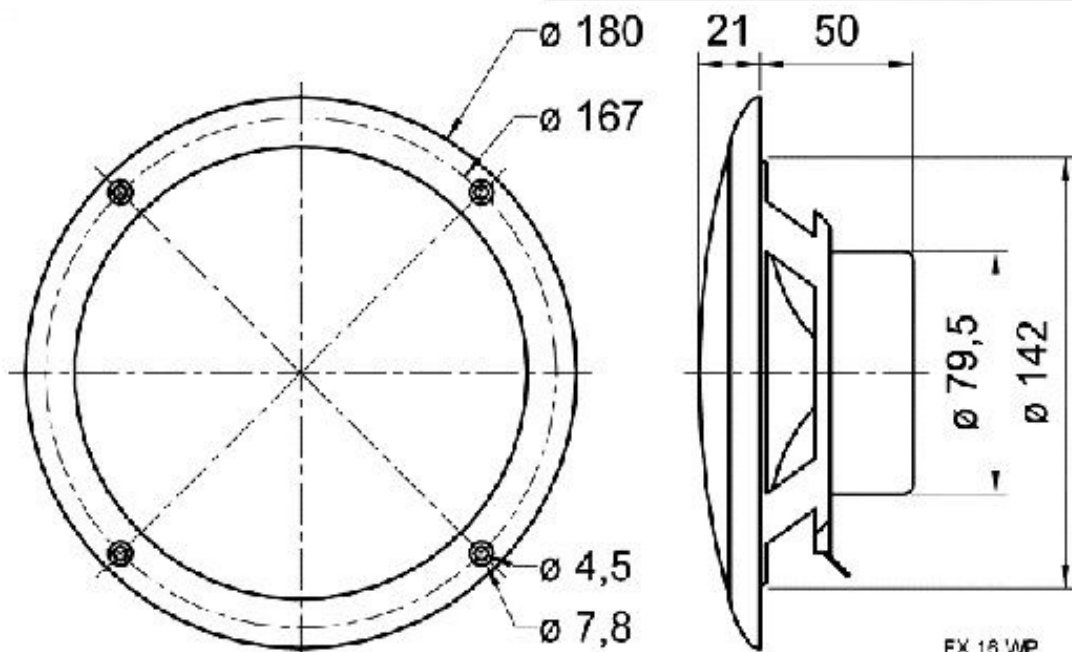


**Technical Data:**

Rated power	80 W
Maximum power	100 W
Nominal impedance Z	4 Ohm
Frequency response	60–20000 Hz
Mean sound pressure level	86 dB (1 W/1 m)
Resonance frequency fs	85 Hz
Height of front pole-plate	4 mm
Voice coil diameter	25 mm
Height of winding	7 mm
Cutout diameter	142 mm
Net weight	0,46 kg
Protective system	IP 65 *)
Temperature range	-40 ... 80 °C
Colour	weiß/white



FX 16 WP  
31.01.2011

**VISATON FX 16 WP**

Frequenzgang (1W/1m) und Impedanzverlauf

