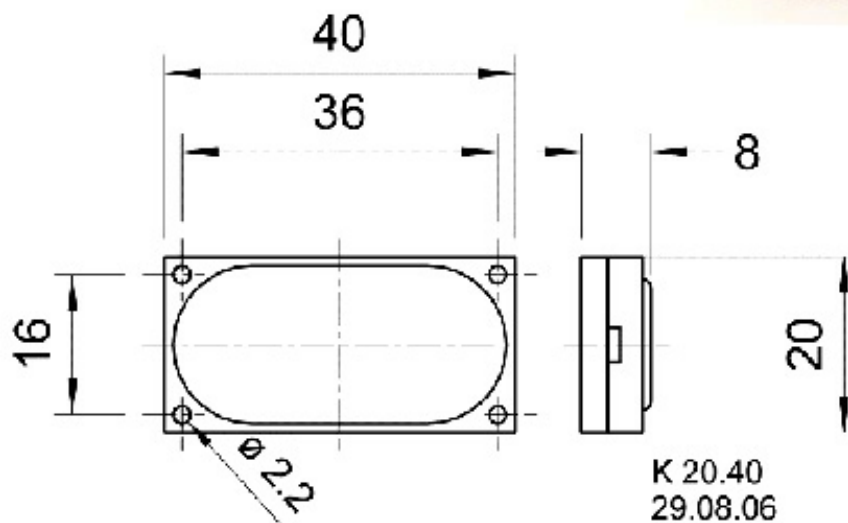


Technical Data:

Rated power	1 W
Maximum power	2 W
Nominal impedance Z	8 Ohm
Frequency response	300–20000 Hz
Mean sound pressure level	76 dB (1 W/1 m)
Resonance frequency fs	600 Hz
Height of front pole-plate	1 mm
Voice coil diameter	12 mm
Cutout diameter	38 x 18 mm
Net weight	0,007 kg
Connections	2,8 x 0,3 mm (Lötöse/solder lug)
Heat resistance	-25 ... 60 °C



Visaton K 20.40

Frequenzgang und Impedanz

