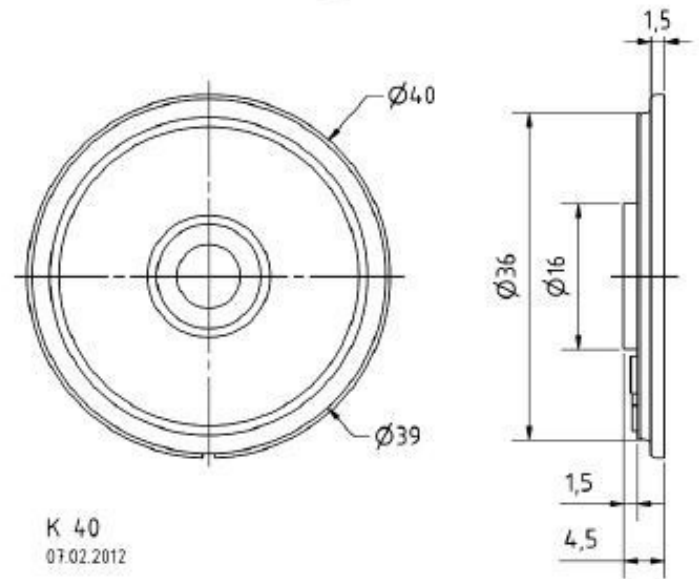


K40 (#2841)

Technical Data:

Rated power	1 W
Maximum power	2 W
Nominal impedance Z	50 Ohm
Frequency response	350–6000 Hz
Mean sound pressure level	83 dB (1 W/1 m)
Resonance frequency fs	520 Hz
Voice coil diameter	13,5 mm
Height of winding	1,8 mm
Cutout diameter	36,5 mm
Net weight	0,01 kg
Protective system	IP 65 *)
Temperature range	-25 ... 70 °C



VISATON K 40
Frequenzgang (1W/1m)

