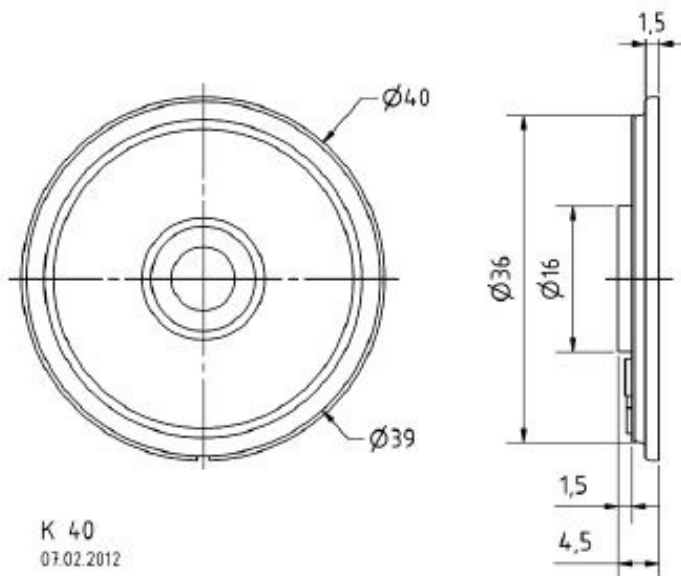


K4008 (#2840)

Technical Data:

Rated power	1 W
Maximum power	2 W
Nominal impedance Z	8 Ohm
Frequency response	350–6000 Hz
Mean sound pressure level	83 dB (1 W/1 m)
Resonance frequency fs	520 Hz
Voice coil diameter	13,5 mm
Height of winding	1,8 mm
Cutout diameter	36,5 mm
Net weight	0,01 kg
Protective system	IP 65 *)
Temperature range	-25 ... 70 °C



VISATON K 40 - 8 Ohm

Frequenzgang (1W/1m) und Impedanzverlauf

