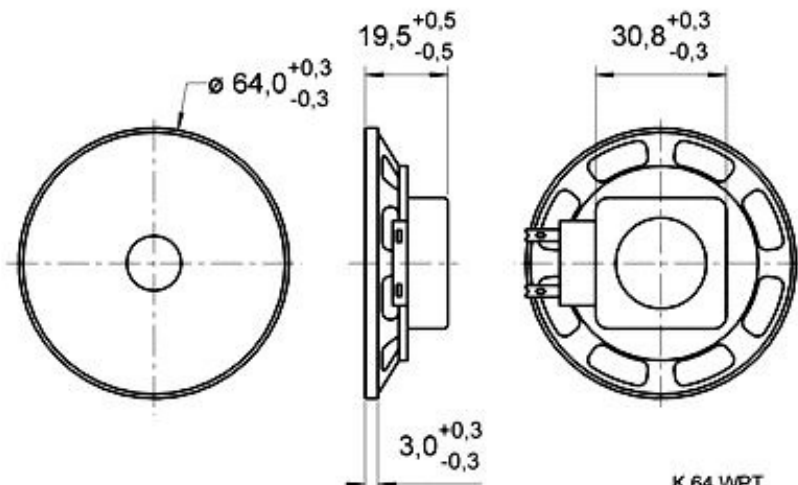


# K64WPT (#2921)

## Technical Data:

Rated power	2 Watt
Maximum power	3 Watt
Nominal impedance	8 Ohm
Frequency response (-10 dB)	200 - 15000 Hz
Mean sound pressure level	86 dB (1W/1m)
Resonance frequency fs	300 Hz
Voice coil diameter	10 mm
Cutout diameter	60 mm
Net weight	50 g
Protective system	IP 65



K 64 WPT  
24.03.03

