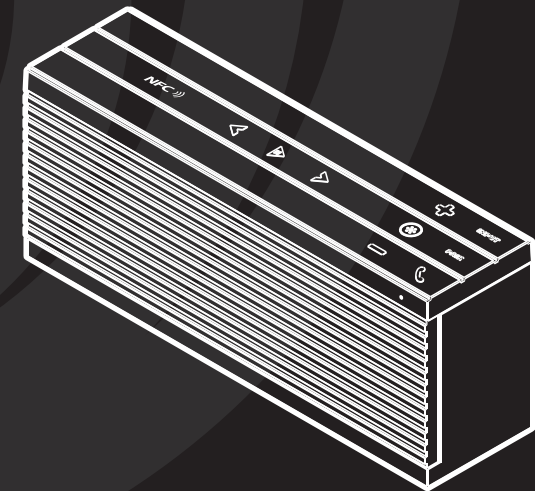




BLUETOOTH SPEAKER

Model: MARK1 User Manual



Warranty Information

Dayton Audio products are warranted free from defects in material and workmanship for **5 years** from date of purchase (see exceptions below). In the rare case of a product failure, please contact your place of purchase or call our Customer Support Department at (937) 743-8248.

Warranty Limitations

There are no other warranties, either express or implied, that extend the foregoing, and there are no warranties of merchantability or fitness for any particular purpose. Dayton Audio is not responsible for any consequential or inconsequential damage to any other unit or component or the cost for installation or extraction of any component of the audio system, or for the improper use of products. This includes but is not limited to burnt voice coils, overheating, bent frames, holes in the cone, or broken lead wires. Warranty does not apply to misuse, abuse, neglect, accident, improper use, etc. Dayton Audio reserves the right to repair or replace the products with either a new or factory refurbished unit.

Exception: Dayton Audio HDMI Cables -- No registration, no questions asked LIFETIME warranty. Replacement of Dayton Audio HDMI cables is with equal or better quality HDMI cables. Unassembled Kits - A 45-day return policy applies to unassembled kits. Once assembly has been started or completed, kits are deemed used and are nonreturnable for refund/exchange. This does not limit the manufacturers' warranty policies on any kit component.

This warranty gives you specific legal rights and you may also have other rights that vary from state to state.

Non-Warranty Service: If non-warranty service is required, the product may be sent to the Company for repair/replacement, transportation prepaid, by calling (937) 743-8248 for details, complete instructions, and service fee charges.



daytonaudio.com
tel + 937.743.8248
info@daytonaudio.com

705 Pleasant Valley Dr.
Springboro, OH 45066
USA

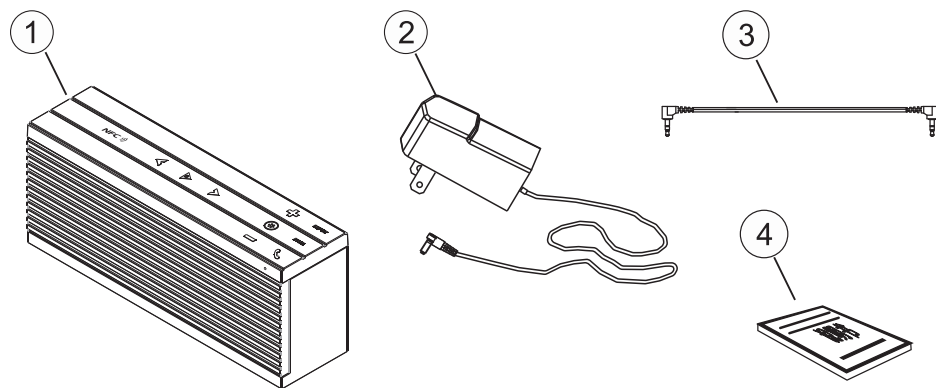


Please read this guide carefully before using this product.

SAFETY INSTRUCTIONS:

- To prevent fire or electrical hazard do not disassemble this product.
- Do not expose the unit to water or moisture.
- Do not place liquid on or close to unit.
- Do not place unit on or near an open flame or heat source.
- Keep product free from dust and debris.
- Place unit on a stable and level platform.
- Do not place heavy items on top of unit.
- Do not use excessive force when pushing the unit buttons.
- Do not attempt to pull the power cord when removing it from power outlet.
- Product uses Lithium Batteries, please don't burn, ingest, or smash batteries.
- Do not use damaged or defective power cables.
- Unplug the power cable if the unit is not in use.
- Clean with a damp cloth only.

PACKAGE CONTENTS



1. MARK1 speaker
2. Power adapter
3. 3.5 mm audio cable
4. User manual

CONTROL PANELS

- | | |
|------------------------|-----------------------------|
| 1. Power/Input LED | 9. Pair Button |
| 2. NFC Icon | 10. Phone Button |
| 3. Back Button | 11. Volume - Button |
| 4. Play/Pause Button | 12. Charging Indicator |
| 5. Forward Button | 13. DC Power Input |
| 6. Volume + Button | 14. Power switch on/off |
| 7. Input Select Button | 15. AUX input |
| 8. Microphone | 16. Charging Port (DC5V 1A) |

TROUBLESHOOTING/NOTES

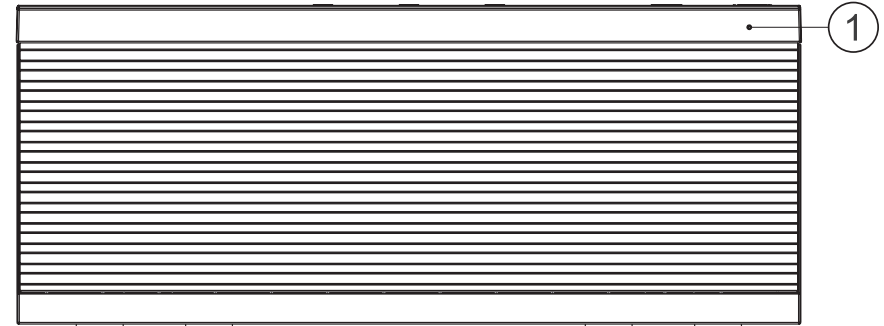
- If the Speaker can't be found in Bluetooth mode the speaker could be connected to another device. Remove the device from any other devices and try again. If you still can't find the Bluetooth speaker, please turn off the speaker for 5 second then turn it back on.
- Bluetooth signal is intermittent: the effective distance between speaker and device is 30 feet, the signal will be intermittent if the distance between the device and speaker is more than 30 feet.
- If your Bluetooth device is in search mode it may find many other Bluetooth devices, please wait until the search is finished and select the MARK1 speaker to pair.
- Don't hold the mobile device to close to the speaker when using the phone function to avoid echo.
- NFC: please make sure the mobile has NFC function and it is turned on in the device.

SPECIFICATIONS

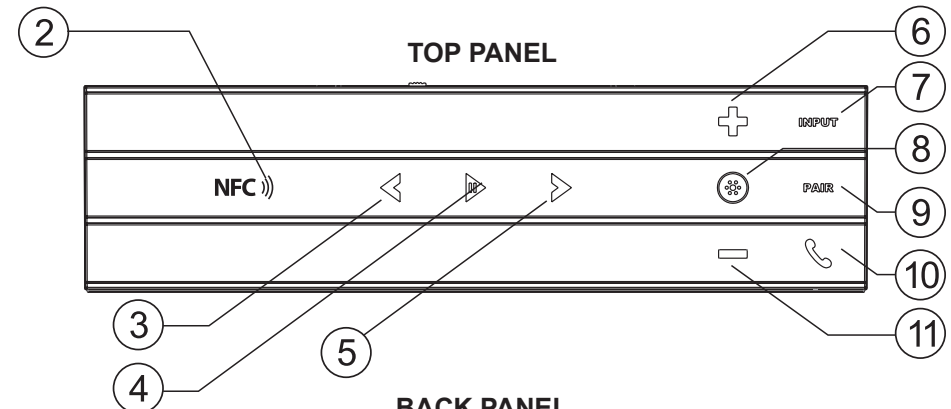
Operating temperature:	0°C-55°C (32°F~131°F)
Amplifier output power:	Left/Right 1.5Wx2, subwoofer 3.5Wx1
Amplifier input sensitivity:	≤400m V
Amplifier SNR:	≥ 70dB
Frequency response:	70Hz~20KHz
Power voltage:	AC100-240V, 50/60Hz / DC 9V, 1.5A
Battery:	7.4V 2000mAh
Battery time:	10hours
Battery charging time:	4-6hours
Blue tooth range:	7-10M (22-33 ft.)
Bluetooth version:	3.0 2.4G Support A2DP

CONTROL PANELS

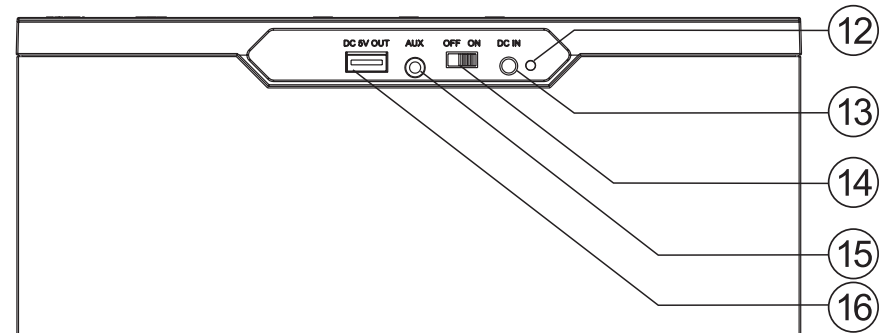
FRONT PANEL



TOP PANEL



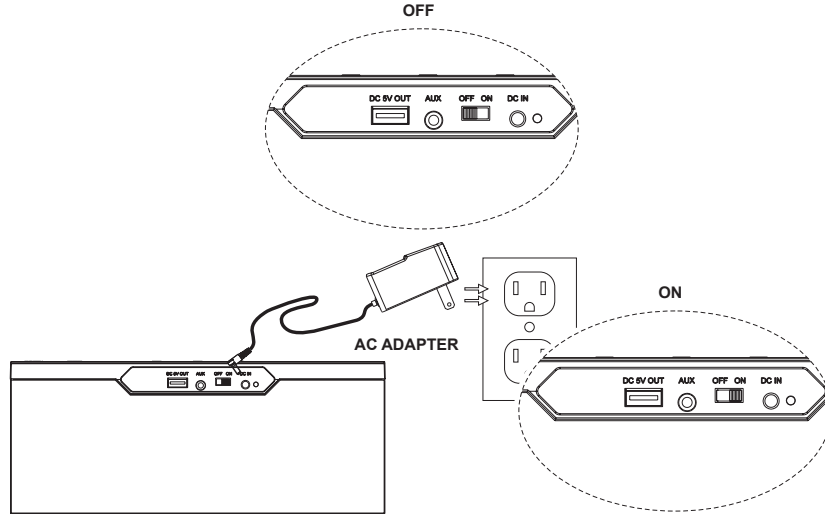
BACK PANEL



OPERATION

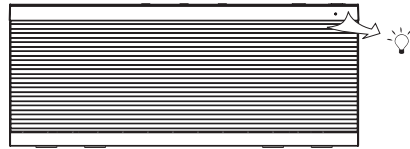
1. Power connection:

Make sure the MARK1 power switch is in the off position: connect the power adapter.



2. Power-on:

Switch the Mark1 on, the voice prompt will announce "Power ON". The front LED will be illuminated blue and the speaker is ready for use in Bluetooth mode.

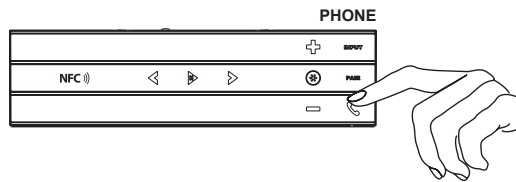


3. Bluetooth Speaker Controls:

Using the touch sensitive control buttons on the top of the speaker you can play, pause, answer the phone or select song using the top operation control panel.

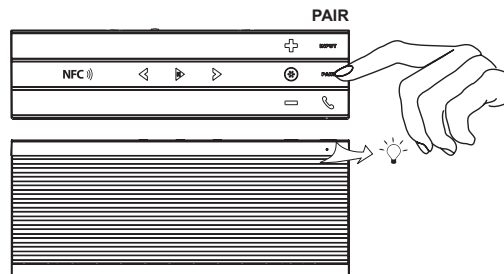
4. Incoming-call operation:

When a call comes in you can answer the call by touching the PHONE icon button on the top control panel.



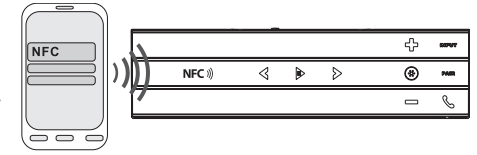
5. Pairing:

Touch the PAIR button on the control panel, the LED indicator will flash and the voice prompt will announce "Pairing". Make sure your mobile device is in pairing mode, select the MARK1 speaker from the Bluetooth list in your mobile device. Pairing is complete when you hear the tonal chime.



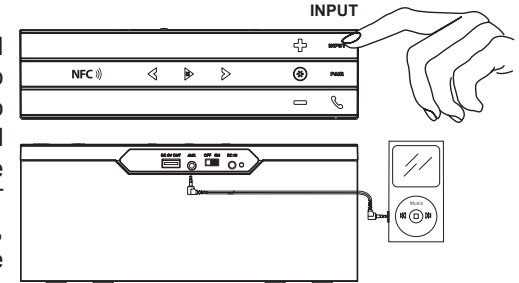
6. NFC:

With the speaker in Bluetooth mode, place the NFC device (screen unlocked, and NFC is enabled) near the speakers top panel NFC icon. The voice prompt will announce "pairing" is complete when you hear the speaker tonal chime.



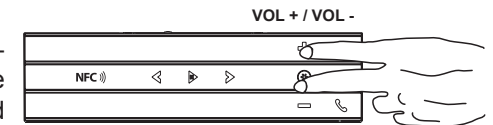
7. AUX input:

Make sure the MARK1 is turned off; connect your audio source to the MARK1 with a 3.5mm audio cable. Turn the MARK1 on, you will hear the voice prompt announce "Power on". Touch the INPUT button on the top control panel, the indicator will turn red and the speaker is in AUX in mode. You can adjust the volume by touching the VOL+ and VOL- on the control panel.



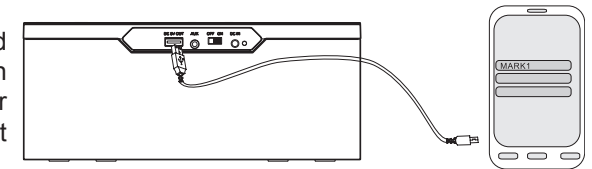
8. Control Panel ON/OFF:

Press and hold the VOL+ and VOL- at same time for 3 seconds, the LED Indicator will turn purple and the control buttons are now inactive except the PHONE button. Repeat these steps to activate the control panel buttons.



9. USB Charging Port:

The MARK1 has a standard USB charging port with DC5V 1A current output for powering or charging most devices.



10. Battery:

When the MARK1 is disconnected from a power source the speaker can be used in battery mode. If the battery power is low the speaker will automatically decrease the volume to ensure sound quality and play time. When the battery power becomes very low, the front LED power indicator will flash for 30 seconds and the speaker will switch to standby mode. Use the included power adapter to charge the speaker.

11. Charging:

The MARK1 is equipped with a built-in battery, only use the supplied power adapter when charging. The green LED indicator on the back of the speaker will flash while in charging mode.

