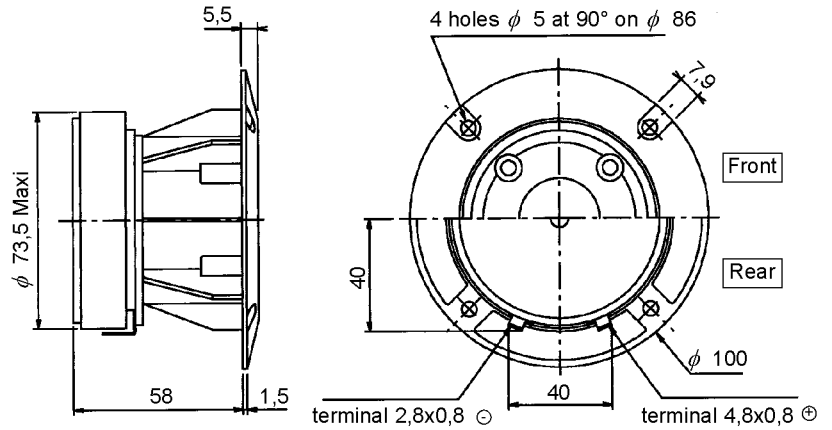
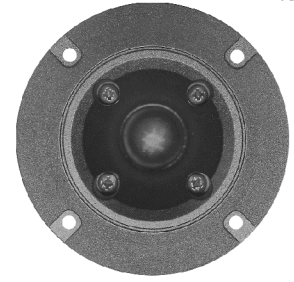
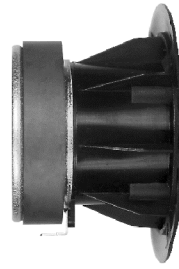


TWEETER

101484R

July 98

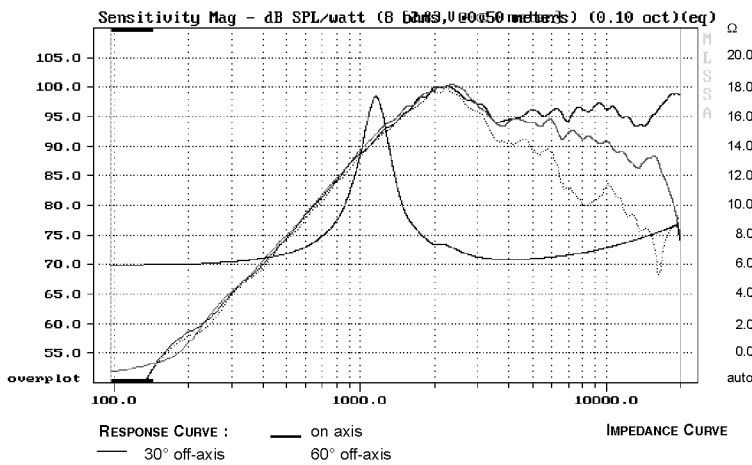
High Efficiency 1" Dome Horn Loaded . Textile 8Ω



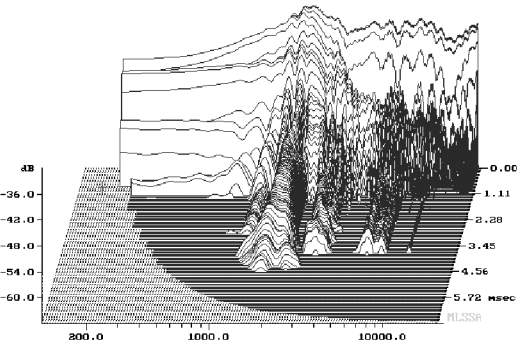
All dimensions in mm

- 1" - horn loaded soft dome - 25 mm
- Very high efficiency (96 dB)
- Catenary Profile
- 1" laminate textile dome
- High impact polyamide horn
- Replacable diaphragm
- Ferrofluid cooled voice coil (new generation - 250 cps)

Response Curve



Waterfall



Cumulative Spectral Decay Log Frequency - Hz

SPECIFICATIONS

Technical characteristics	Symbol	Value	Units
PRIMARY APPLICATION			
Nominal Impedance	Z	8	Ω
Resonance Frequency	Fs	1170	Hz
Nominal Power Handling	P	70	W
Sensitivity	E	96	dB
VOICE COIL			
Voice Coil Diameter	φ	25	mm
Minimum Impedance	Zmin	6,5	Ω
DC Resistance	Re	5,5	Ω
Voice Coil Inductance	Lbm	11	mH
Voice Coil Length	h	1,6	mm
Former	-	Aluminium	-
Number of Layers	n	2	-

MAGNET

Magnet Dimensions	φ x h	72 x 15	mm
Magnet Weight	m	0,24	kg
Flux Density	B	1,5	T
Force Factor	BL	2,9	NA ⁻¹
Height of Magnetic Gap	He	3	mm
Stray Flux	Fmag	-	Am ⁻¹
Linear Excursion	Xmax	± 0,7	mm

PARAMETERS

Suspension Compliance	Cms	-	mN ⁻¹
Mechanical Q Factor	Qms	-	-
Electrical Q Factor	Qes	-	-
Total Q Factor	Qts	-	-
Mechanical Resistance	Rms	-	kg s ⁻¹
Moving Mass	Mms	0,29.10 ⁻³	kg
Effective Piston Area	S	6,2.10 ⁻⁴	m ²
Volume Equivalent of Air at Cas	Vas	-	m ³
Mass of Speaker	M	0,50	kg

Suggested Applications

Crossover Frequency	Slope	Inductance	Capacitor	Power Handling
Hz	dB / Oct.	mH	μF	W
5200	6	-	4,7	50
2800	12	0,47	6,8	70