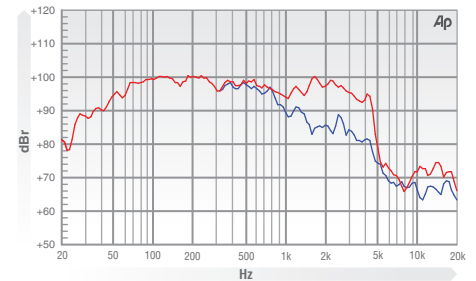




SOVEREIGN PRO 15-600

The Sovereign Pro15-600 offers excellent linear response and well controlled reproduction down to 40 Hz. This makes the unit especially suitable for horn-loaded applications, band-pass enclosures and small size bass reflex systems. The 15-600 is a very good solution for two or three way systems when high BL and maximum punch is required.

FREQUENCY RESPONSE DATA*

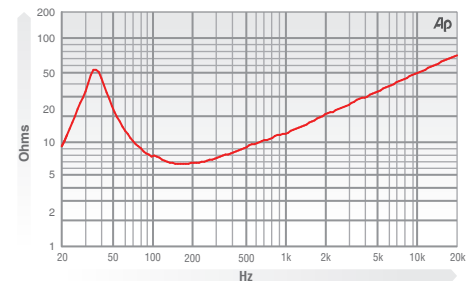


* Half space response measured in a 975 litre sealed box

ELECTRO ACOUSTIC SPECIFICATIONS	
Nominal Chassis Diameter	15"
Impedance	8 Ω
Power Handling	600 w (EIA 426A)
Peak Power (6dB Crest Factor)	2400 w (EIA 426A)
Usable Frequency Range -6dB	35 Hz - 3.5 kHz
Sensitivity (1 w - 1 m)	98 dB
Moving Mass inc. Air Load	89 grams
Minimum Impedance Zmin	6.5 Ω
Effective Piston Diameter	13.03" / 331 mm
Peak Displacement Volume of Cone Vd	0.55 litres
Magnet Weight	85 oz
Magnetic Gap Depth	0.39" / 10 mm
Flux Density	1.0 Tesla
Coil Winding Height	0.70" / 18 mm
Voice Coil Diameter	3.00" / 76.2 mm

THIELE SMALL PARAMETERS	
FS Hz	38 Hz
RE Ohms	5.4 Ω
Qms	3.52
Qes	0.39
Qts	0.351
Vas Ltr	201
Vd litres	0.552
CMS (mm/N)	0.196
BL T/m	17.5
Mms (grms)	89.5
Xmax (mm)	6.5
Sd (cm ²)	850
Efficiency %	2.76
Le (1k Hz)	1.95 mH

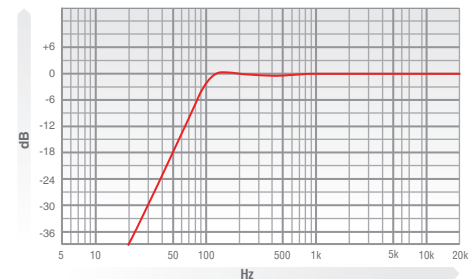
IMPEDANCE



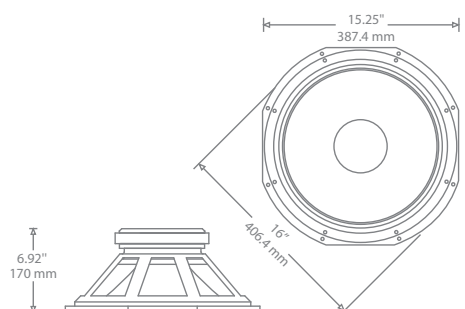
MATERIALS OF CONSTRUCTION	
Former Material	Glass Fibre
Voice Coil	Copper
Magnet Material	Ferrite
Chassis	Die-cast Aluminium
Cone	Curvilinear Paper
Surround / Edge Termination	Polyvinyl Damped Half Roll Linen
Dust Dome	Solid Paper
Connectors	Push-button Spring Terminals
Polarity	Positive Voltage at Red Terminal Causes Forward Motion of Cone

MOUNTING / SHIPPING INFORMATION	
Overall Diameter	16" / 406.4 mm
Width Across Flats	15.25" / 387 mm
Flange Height	0.30" / 7.8 mm
Baffle Hole Diameter F/M	13.85" / 352 mm
Baffle Hole Diameter R/M	14" / 355.6 mm
Gasket Supplied	Front & Rear
Fixing Holes	4x 7.1mm on 15.5" / 393.7 mm pcd
Depth	6.69" / 170 mm
Weight	17.52 lb / 7.95 kg
Recommended Enclosure Volume	2.64 - 5.29 cu ft / 75 - 150 litres
Shipping Weight	20.05 lb / 9.1 kg
Packing Carton Dimensions	220 x 420 x 420 mm

PREDICTED BASS RESPONSE



** Normalized bass response in 175 litre tuned to 45Hz



- Please enquire about alternative impedances.
- EIA 426A. power handling test. Pink noise bandpass filtered at 12 dB per octave. Driver mounted in free air, test signal applied at rated power for 8 hours.
- Please note that the frequency response measurements are supplied for comparison only and are not a measure of the low frequency performance which may be achieved in a fully optimised system.