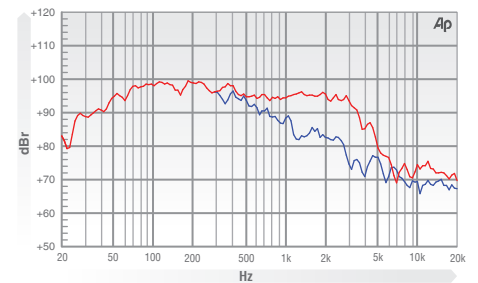




## SOVEREIGN PRO 15-600LF

The Sovereign Pro 15-600LF is intended for use in two-way ported enclosures, such as the classic bass driver plus horn tweeter or compression driver format. The unit features a die cast chassis with long throw motor system and long throw surround allowing solid bass reproduction at high-power levels. The driver exhibits a smooth frequency response to give a balanced tonal characteristic when properly matched to appropriate high-frequency drivers. The Sovereign Pro 15-600LF can also be used in ported bass enclosures to deliver tight accurate bass down to 40 Hz. The unit features a 3-inch voice coil with a power handling of 600 Watts and an average sensitivity of 97.5 dB.

### FREQUENCY RESPONSE DATA\*



\* Half space response measured in a 975 litre sealed box

### ELECTRO ACOUSTIC SPECIFICATIONS

Nominal Chassis Diameter	15"
Impedance	8 Ω
Power Handling	600 w (EIA 426A)
Peak Power (6dB Crest Factor)	2400 w (EIA 426A)
Usable Frequency Range -6dB	37 Hz - 3.5 kHz
Sensitivity (1 w - 1 m)	97.5 dB
Moving Mass inc. Air Load	89 grams
Minimum Impedance Zmin	6.5 Ω
Effective Piston Diameter	13.03" / 331 mm
Peak Displacement Volume of Cone Vd	0.59 litres
Magnet Weight	100 oz
Magnetic Gap Depth	0.39" / 10 mm
Flux Density	1.1 Tesla
Coil Winding Height	0.75" / 19 mm
Voice Coil Diameter	3.00" / 76.2 mm

### THIELE SMALL PARAMETERS

FS Hz	40 Hz
RE Ohms	6.5 Ω
Qms	8.8
Qes	0.38
Qts	0.37
Vas Ltr	188
Vd litres	0.59
CMS (mm/N)	0.18
BL T/m	19.7
Mms (grms)	89
Xmax (mm)	6.9
Sd (cm <sup>2</sup> )	856
Efficiency %	3.05
Le (1k Hz)	1.85 mH

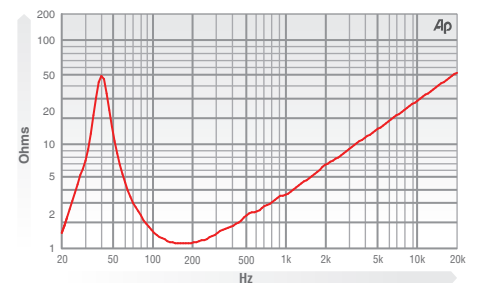
### MATERIALS OF CONSTRUCTION

Former Material	Glass Fibre
Voice Coil	Copper
Magnet Material	Ferrite
Chassis	Die-cast Aluminium
Cone	Paper
Surround / Edge Termination	Multi Roll Polyvinyl Damped Fabric
Dust Dome	Paper
Connectors	Push-button Spring Terminals
Polarity	Positive Voltage at Red Terminal causes forward motion of cone

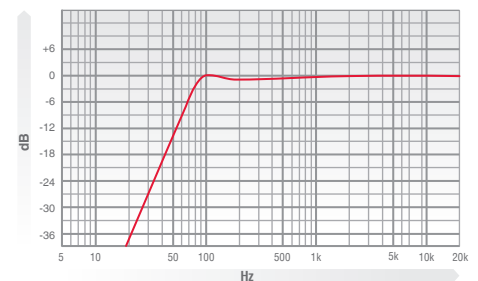
### MOUNTING / SHIPPING INFORMATION

Overall Diameter	16" / 406.4 mm
Width Across Flats	15.25" / 387 mm
Flange Height	0.30" / 7.8 mm
Baffle Hole Diameter F/M	13.85" / 352 mm
Baffle Hole Diameter R/M	14" / 355.6 mm
Gasket Supplied	Front & Rear
Fixing Holes	4x 7.1mm on 15.5" / 393.7 mm pcd
Depth	6.92" / 176 mm
Weight	20.49 lb / 9.3 kg
Recommended Enclosure Volume	2.64 - 5.29 cu ft / 75 - 150 litres
Shipping Weight	23.03 lb / 10.45 kg
Packing Carton Dimensions	220 x 420 x 420 mm

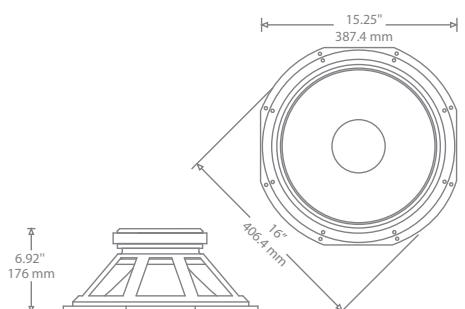
### IMPEDANCE



### PREDICTED BASS RESPONSE



\*\* Normalized bass response in 175 litre tuned to 40Hz



- Please enquire about alternative impedances.
- EIA 426A. power handling test. Pink noise bandpass filtered at 12 dB per octave. Driver mounted in free air, test signal applied at rated power for 8 hours.
- Please note that the frequency response measurements are supplied for comparison only and are not a measure of the low frequency performance which may be achieved in a fully optimised system.