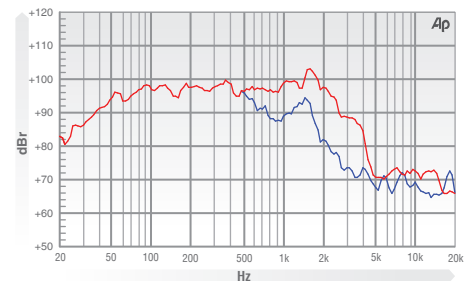




SOVEREIGN PRO 18-800P

The Sovereign Pro 18-800P is intended for use as a high-output bass driver in multi way systems and features a 4 inch 'sandwich' inside and outside windings voice coil, immersed in a symmetric magnetic field yielding increased linearity and lower distortion. This, coupled with laminated silicone suspensions ensures fast accurate bass at high levels of excursion. The driver handles 800 Watts continuous and can cope with peaks in excess of 3200 Watts. This is due to advanced thermal management in the form of vented die-cast chassis. These measures effectively remove heat from the voice coil, resulting in extremely low-power compression. The Sovereign 18-800P exhibits 97.5 dB sensitivity and can deliver bass down to 35 Hz (-6 dB) in a 200 litre ported enclosure.

FREQUENCY RESPONSE DATA*

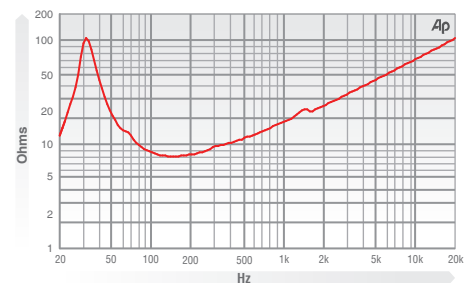


* Half space response measured in a 975 litre sealed box

ELECTRO ACOUSTIC SPECIFICATIONS	
Nominal Chassis Diameter	18"
Impedance	8 Ω
Power Handling	800 w (EIA 426A)
Peak Power (6dB Crest Factor)	3200 w (EIA 426A)
Usable Frequency Range -6dB	35 Hz - 1.0 kHz
Sensitivity (1 w - 1 m)	97.5 dB
Moving Mass inc. Air Load	147 grams
Minimum Impedance Zmin	7.92
Effective Piston Diameter	15.03" / 382 mm
Peak Displacement Volume of Cone Vd	1131 litres
Magnet Weight	120 oz
Magnetic Gap Depth	0.39" / 10 mm
Flux Density	1.2 Tesla
Coil Winding Height	0.90" / 23 mm
Voice Coil Diameter	4.00" / 101.6 mm

THIELE SMALL PARAMETERS	
FS Hz	34.5 Hz
RE Ohms	6.6 Ω
Qms	4.83
Qes	0.363
Qts	0.337
Vas Ltr	264
Vd litres	0.848
CMS (mm/N)	0.145
BL T/m	24.5
Mms (grms)	147
Xmax (mm)	7.5
Sd (cm ²)	1131
Efficiency %	2.88
Le (1k Hz)	2.43 mH

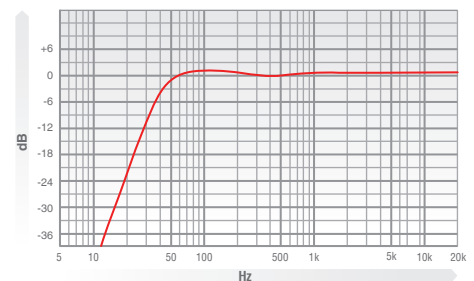
IMPEDANCE



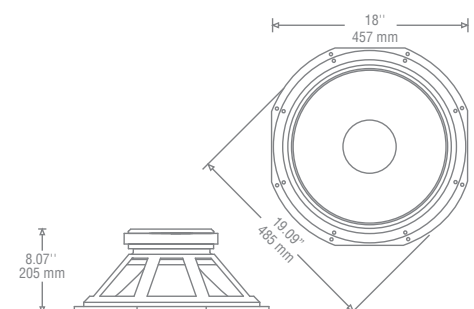
MATERIALS OF CONSTRUCTION	
Former Material	Glass Fibre
Voice Coil	Copper 'sandwich' inside and outside windings
Magnet Material	Ferrite
Chassis	Die-cast Aluminium
Cone	Curvilinear Paper
Surround / Edge Termination	Polyvinyl Damped Half Roll Liner
Dust Dome	Solid Paper
Connectors	Push-button Spring Terminals
Polarity	Positive Voltage at Red Terminal Causes Forward Motion of Cone

MOUNTING / SHIPPING INFORMATION	
Overall Diameter	19.1" / 485 mm
Width Across Flats	18" / 457 mm
Flange Height	0.465" / 11.8 mm
Baffle Hole Diameter F/M	16.53" / 420 mm
Baffle Hole Diameter R/M	16.33" / 414 mm
Gasket Supplied	Front & Rear
Fixing Holes	8x 0.275" diam on 18.425 PCD / 8x 7 mm diam on 17.25 PCD / 8x 7 mm diam on 468 PCD / 8x 7 mm diam on 438.15 PCD
Depth	8.07" / 205 mm
Weight	27.6 lb / 12.5 kg
Recommended Enclosure Volume	4.41 - 14.12 cu ft / 125 - 400 litres
Shipping Weight	28.9 lb / 13.1 kg
Packing Carton Dimensions	250 x 520 x 520 mm

PREDICTED BASS RESPONSE



** Normalized bass response in 175 litre tuned to 35Hz



- Please enquire about alternative impedances.
- EIA 426A. power handling test. Pink noise bandpass filtered at 12 dB per octave. Driver mounted in free air, test signal applied at rated power for 8 hours.
- Please note that the frequency response measurements are supplied for comparison only and are not a measure of the low frequency performance which may be achieved in a fully optimised system.