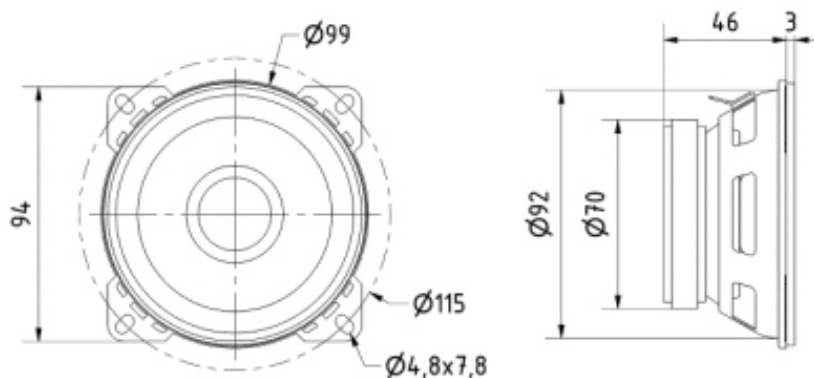


PX10HF (4602)

Technical Data

Rated power	20 W
Maximum power	30 W
Nominal impedance Z	4 Ohm
Frequency response	70-13000 Hz
Mean sound pressure level	85 dB (1 W/1 m)
Opening angle (-6 dB)	93°/4000 Hz
Resonance frequency fs	136 Hz
Height of front pole-plate	3 mm
Voice coil diameter	20 mm
Height of winding	5.2 mm
Cutout diameter	92 mm
Net weight	0.385 kg
Connections	4.8 x 0.8 mm (+) 2.8 x 0.8 mm (-)
Temperature range	-25 ... 70 °C



PX 10 HF
10.12.18

VISATON PX 10 HF - 4 Ohm
Frequency Response (1 W/1 m) and Impedance

