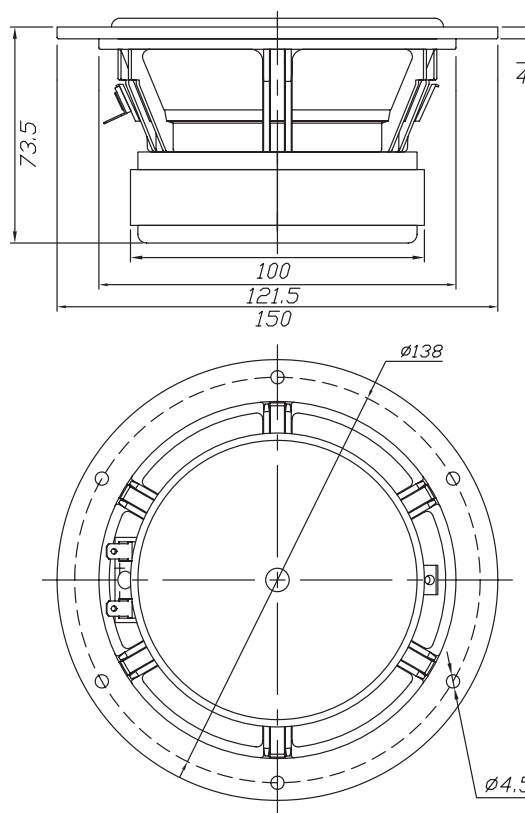


RS150P-8

6" Reference Paper Midwoofer 8 Ohm



Parameters

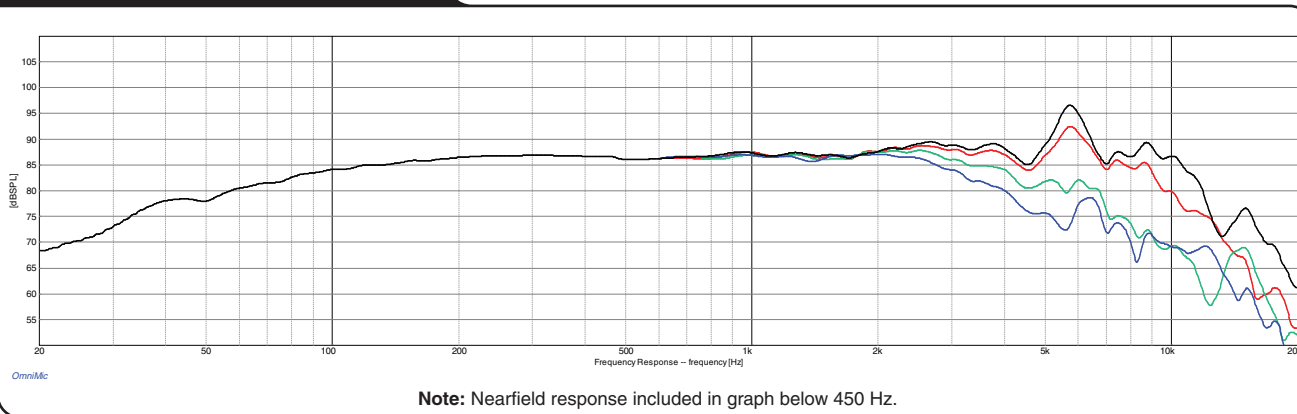
Impedance (Ω)	8
Re (Ω)	6.3
Le (mH) @ 1 kHz	0.61
Fs (Hz)	49.2
Qms	1.72
Qes	0.40
Qts	0.32
Mms (g)	6.57
Cms (mm/N)	1.60
Sd (cm ²)	85.0
Vd (cm ³)	34.0
BL (Tm)	5.69
VAs (liters)	16.2
XMAX (mm)	4
VC Diameter (mm)	25
SPL (dB 1W/1m)	89
RMS Power Handling (w)	40
Usable Frequency Range (Hz)	49-10,000

Features

- Lightweight paper composite cone with Kevlar and glass fibers
- Solid aluminum phase plug
- Smooth, extended frequency response
- Advanced low-distortion motor design
- Rubber surround
- Attractive 6-hole cast frame

Note: All dimensions in mm.

Frequency Response



Impedance/Phase

