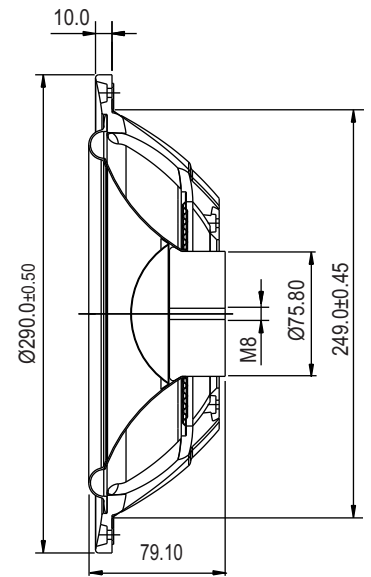
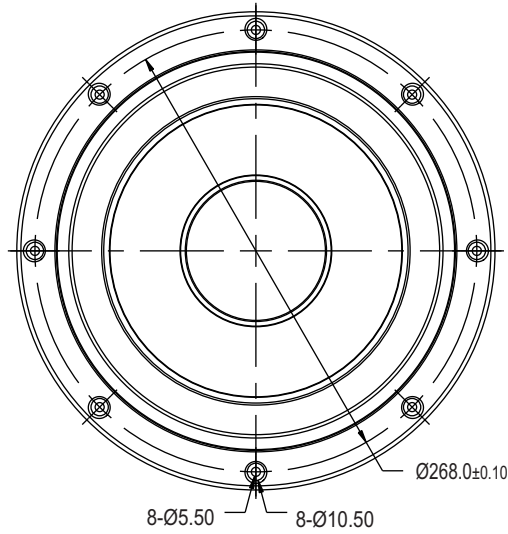


ACOUSTICS

10" SB29NRX-00



Specs :

Effective piston area, Sd	312 cm ²	Mechanical loss, Rms	3 kg/s
Free air resonance, Fs	10.8 Hz	Mechanical Q-factor, Qms	10.3
Compliance, Cms	0.48 mm/N	Equivalent volume, Vas	66 liters
Moving mass incl.air, Mms	455 g	Net weight	1.75 kg

T/S parameters measured on drive units that are broken in.