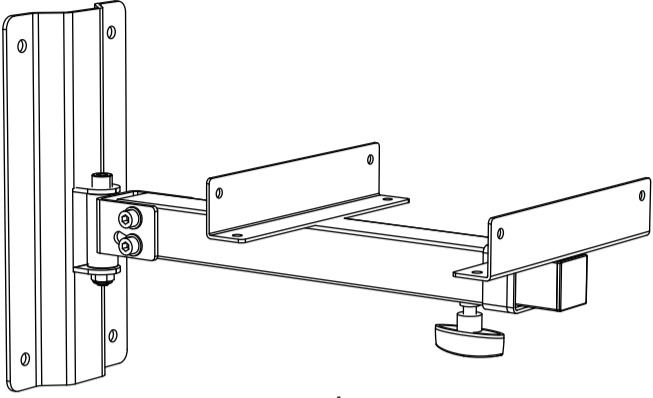
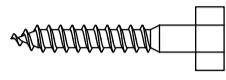



MAX Load: 44 Lbs.




**Parts**



x1

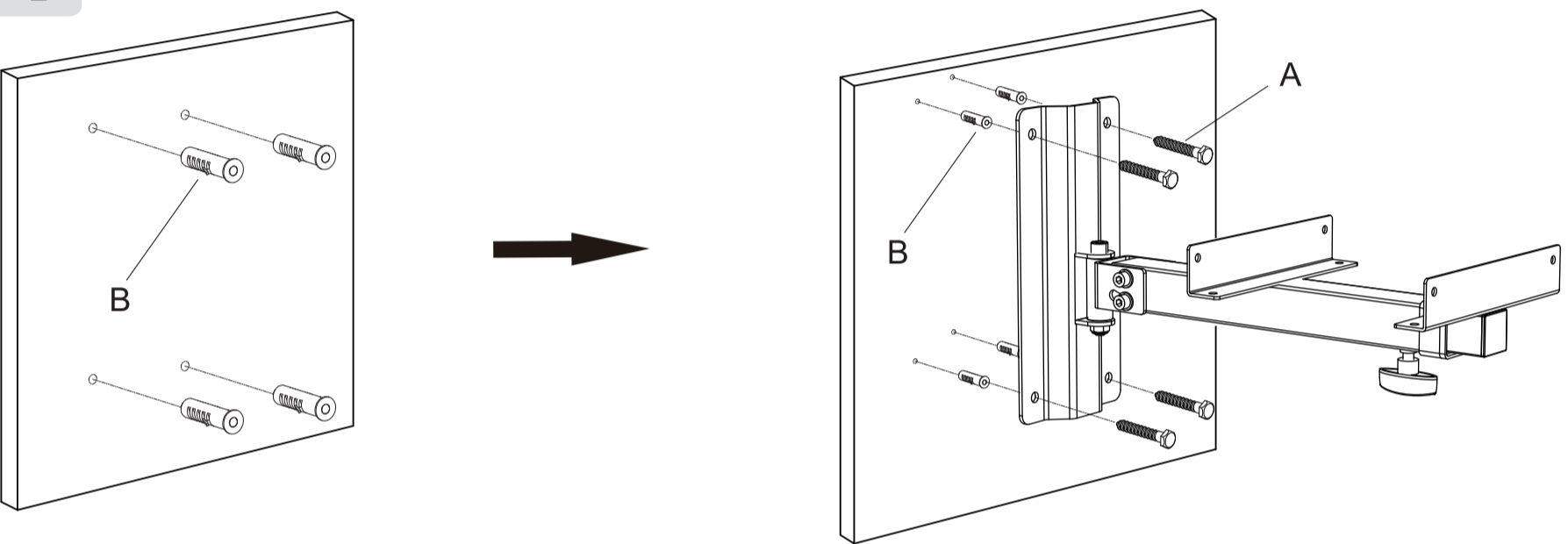



(A) M8x50 Self-tap Screw (4)      (B) 10x50 Plastic Anchor (4)

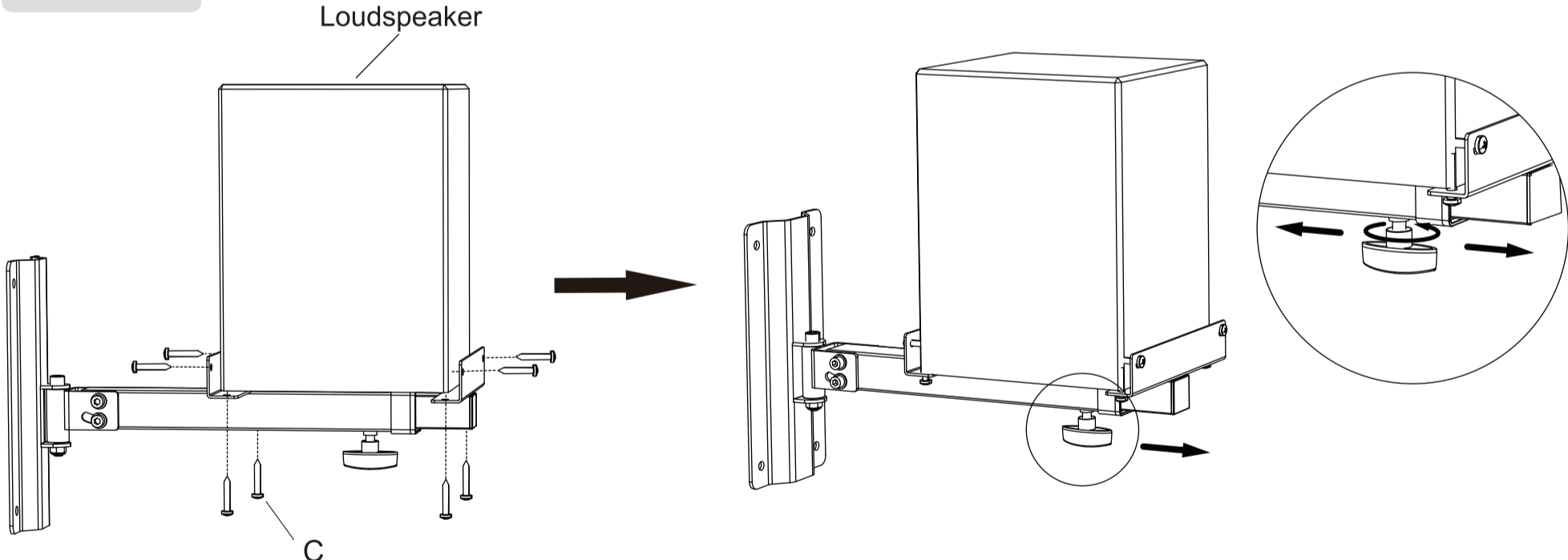
(C) M6x30 screws (8)    (D) 6mm Wrench (1)    (E) 8mm Wrench (1)

**STEP 1**

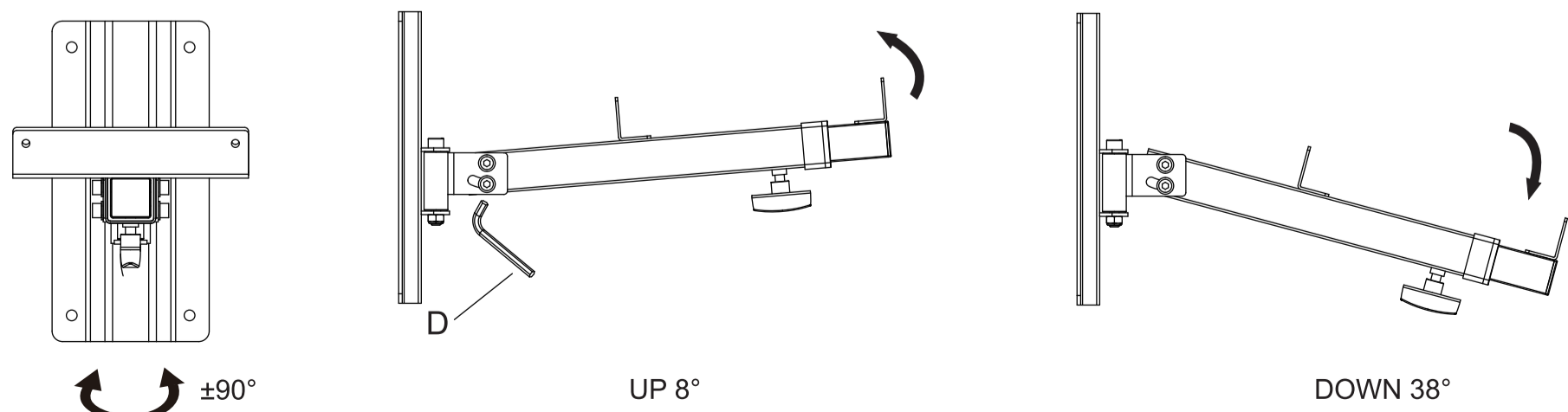


**STEP 2**

Loudspeaker



**STEP 3**



±90°      UP 8°      DOWN 38°