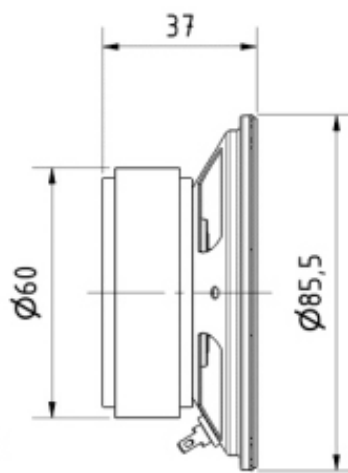
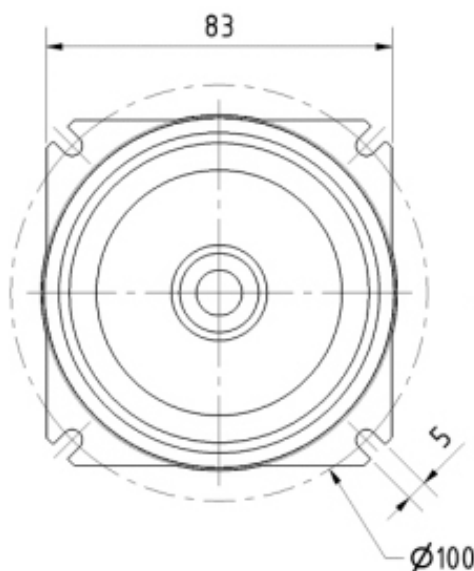
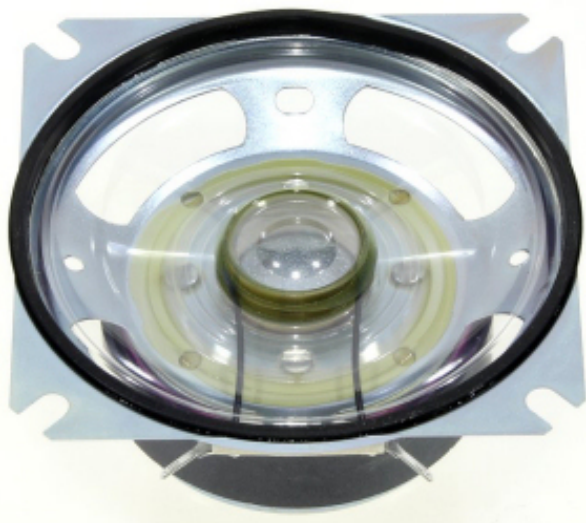


Rated power	20 W
Maximum power	30 W
Nominal impedance Z	4 Ohm
Frequency response	350–5800 Hz
Mean sound pressure level	94 dB (1 W/1 m)
Opening angle (-6 dB)	142°/4000 Hz
Resonance frequency fs	550 Hz
Height of front pole-plate	3 mm
Voice coil diameter	20 mm
Height of winding	4 mm
Cutout diameter	80 mm
Net weight	0.38 kg
Connections	2.8 x 0.5 mm (+) 2.8 x 0.5 mm (-)
Protective system	IP 65 *) IP x8 *) **)
Temperature range	-40 ... 70 °C



SL 87 XA
09.03.2010

