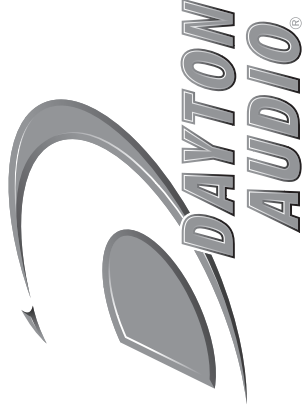


**Trouble Shooting:
Problem**

Solution

- No Sound
- Check all connections
 - Make sure the volume controls are on
 - Make sure no wires are touching each other
 - Make sure the receiver/amp is turned on
 - Make sure the receiver/amp correct speaker source is on
- Noise in Speakers
- Make sure all speaker wires are away from AC power lines
 - Check all connections for a tight fit
 - Turn down receiver/amp output
- Unit is hot
- Turn down receiver/amp output
 - Turn off unused speakers
 - Do not stack items on top of unit



Four Pair Speaker Selector with Volume Control Owner's Manual

	Number of Speaker Pairs Playing				Impedance Correction (protection at "on" pos.)
	1	2	3	4	
4 Ω Speakers	4 Ω	X	X	X	7.0 Ω
	4 Ω	4 Ω	X	X	5.0 Ω
	4 Ω	4 Ω	4 Ω	X	4.3 Ω
	4 Ω	4 Ω	4 Ω	4 Ω	4.0 Ω

	Number of Speaker Pairs Playing				Impedance Correction (protection at "on" pos.)
	1	2	3	4	
8 Ω Speakers	8 Ω	X	X	X	11.0 Ω
	8 Ω	8 Ω	X	X	7.0 Ω
	8 Ω	8 Ω	8 Ω	X	5.7 Ω
	8 Ω	8 Ω	8 Ω	8 Ω	5.0 Ω

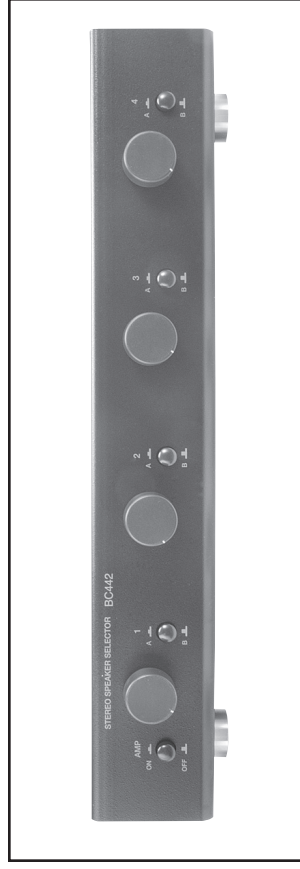
Warranty Information: Dayton Audio® products are constructed by industry experts, and are thoroughly tested before shipment. Dayton Audio® products are warranted for the period of five years. This warranty is limited to manufacturer defects, either in materials or workmanship. Dayton Audio® is not responsible for any consequential or incidental damage to any other unit or component or the cost for installation or extraction of any component of the audio system. In the rare case of a product failure, please follow this procedure:

- Call our Customer Support Department at (937) 743-8248 to obtain a Return Authorization #.
- Package your return carefully to ensure it is received by us in good condition.
- Include a copy of the invoice with an explanation of the return; include all original factory packaging, accessories, and manuals/literature.
- Write the RA# clearly on the outside of your return package.

Warranty Limitations: There are no other warranties, either express or implied, which extend the foregoing, and there are no warranties of merchantability or fitness for any particular purpose. The warranty will not cover incidental or consequential damage due to defective or improper use of products. This includes but is not limited to burnt voice coils, overheating, bent frames, holes in the cone, or broken lead wires.

This warranty gives you specific legal rights and you may also have other rights which vary from state to state.

Non-Warranty Service: If non-warranty service is required, the product may be sent to the Company for repair/replacement, transportation prepaid, by calling (937) 743-8248 for details, complete instructions, and service fee charges.



© February 2005 Dayton Audio®.

4SS-VC

The Dayton Audio® Speaker Switch w/ Volume Control (4SS-VC) has been designed to play four pairs of speakers throughout your home or office. It gives you the freedom to play one pair or any combinations of speakers at the same time. Music for each location is selected by turning the volume control clockwise (turning the volume control counter-clockwise all the way will turn off the speakers). The 4SS-VC also features an A/B switch for amplifier selection. This allows you to have two different sources playing at the same time.

Features:

- Add up to four pairs of speakers to your amplifier
- Impedance matching to protect your amplifier from different speaker loads
- Left and Right ground paths are isolated for compatibility with all amps
- Screw terminals to provide a solid secure connection
- Power handling 100 watts RMS/channel
- May be used with 4, 6 or 8 ohm speakers

Installation Tips:

- It is recommended to use 16 gauge speaker wire, and to use 14 gauge wire for runs longer than 50 ft.
- You can use any combination of 4, 6 or 8 ohm speakers
- Remember to use approved cables for in-wall use
- Keep speaker wires away from AC power wire, being too close could cause unwanted noise and interference
- When turning on for the first time make sure all volume controls are turned to the off position

Installation:

- Make sure all power is turned off before installing
- Select a convenient location for the speaker selector
- Run all necessary wires from the rooms to the speaker selector, be sure to correctly label the wires for each room
- Strip 3/8" of insulation from the end of each wire
- Tightly twist the end of each wire until there are no frayed ends
- Insert the wires and tighten the set screws on the connecting blocks; connect the outputs from your receiver or amplifier to the terminals labeled "From AMP A"
- Be sure to keep all wires in phase (positive to positive and negative to negative) if you are connecting a second audio source attach it to "AMP B"
- Connect the wires from each speaker location to the corresponding terminal

Technical Specs:

Input: 100 watts MAX per channel
 Output: 4 speaker pairs (4,6 or 8 ohm)
 Protection: Impedance matching
 Wire size: 14 to 22 gauge
 Size: 11-3/4" W x 6-1/2" D x 2" H
 Weight: 3 lbs.

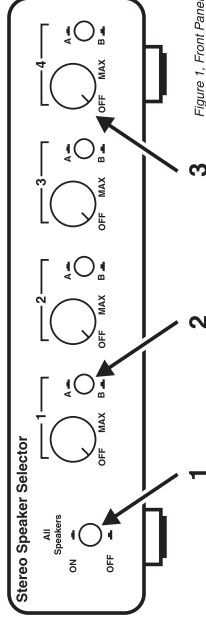


Figure 1, Front Panel

Controls

- 1. Speakers On/Off:** Press button in to turn on all speaker pairs. Press again (button out) to turn off.
- 2. Amplifier Selector:** Press button in to select amp A. Press again (button out) to select amp B.
- 3. Volume Control:** An 11-step volume control for each speaker pair.

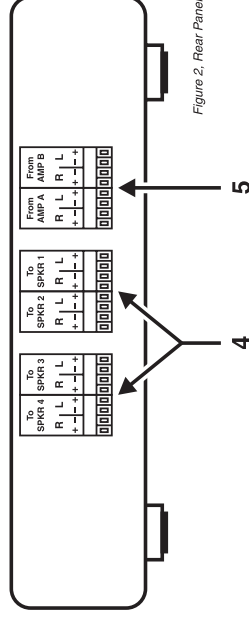


Figure 2, Rear Panel

- 4. Speaker Connections:** Connect your speakers to these terminals.
- 5. Amplifier Connections:** Connect the speaker output of your receiver or amplifier (100 watts max). Amplifier B optional.

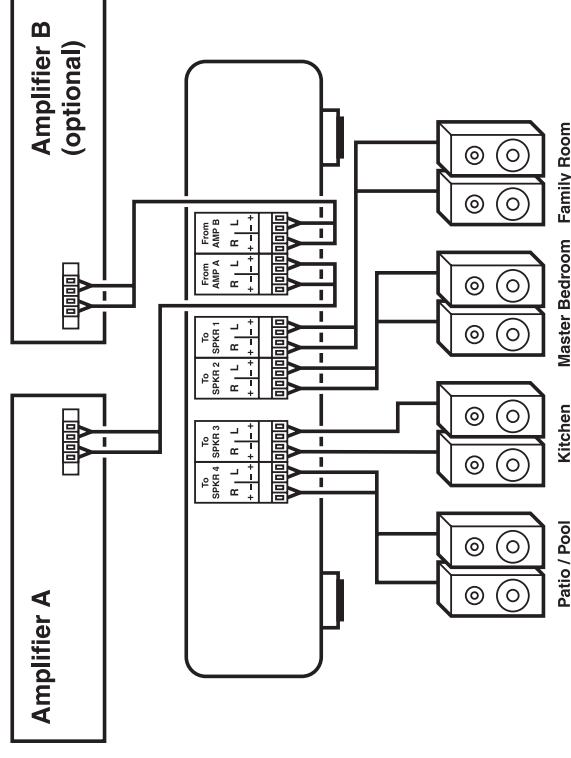


Figure 3, Overview of typical system hook-up.