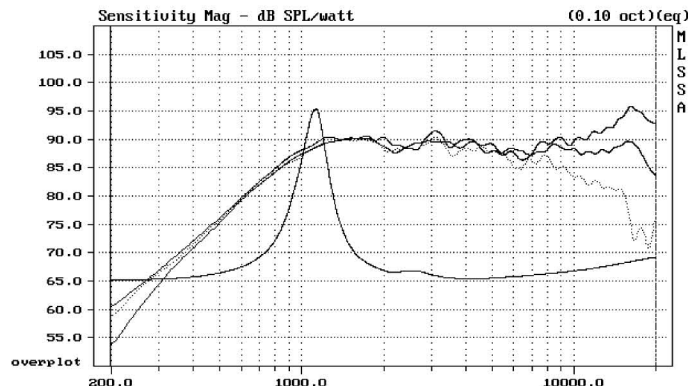
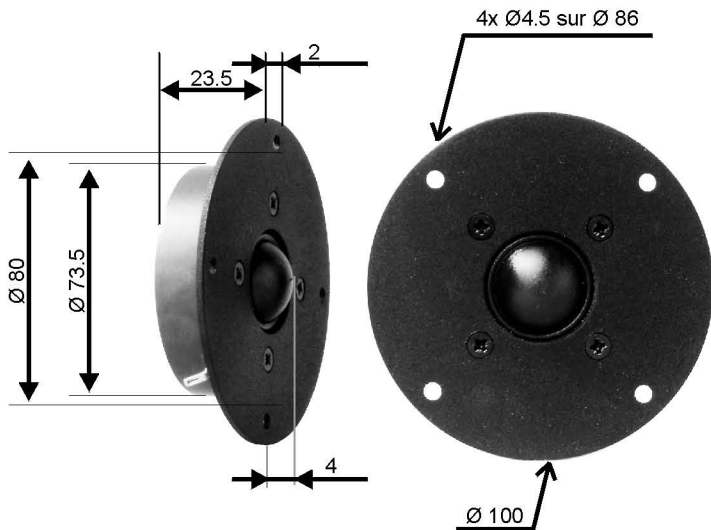


Good efficiency and extended frequency response
Catenary profile impregnated textile dome
Solid aluminium face plate



Nominal impedance... 8 ohms
Resonance... 900 Hz
Power handling (IEC) ... 55 W
Sensitivity (2.83V/1m) ... 90.0 dB

Voice coil diam..... 25 mm
Voice coil length..... 1.6 mm
Former..... aluminium
Layer(s)..... 2

Resistance (DC)..... 5.8 ohms
Inductance 0.011 mH
Xmax..... ± 0.30 mm

Cone material... coated textile
Chassis aluminium
Total mass..... 460 gr

Replaceable voice coil assembly (RW025A0)

