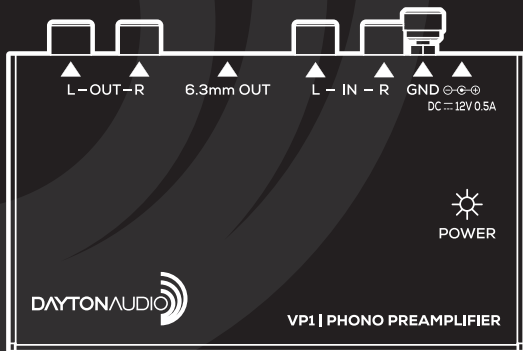


DAYTONAUDIO 

# PHONO PREAMPLIFIER

Model: VP1 User Manual



*Thank you for purchasing the Dayton Audio VP1 Phono Preamplifier with RIAA Equalization.*

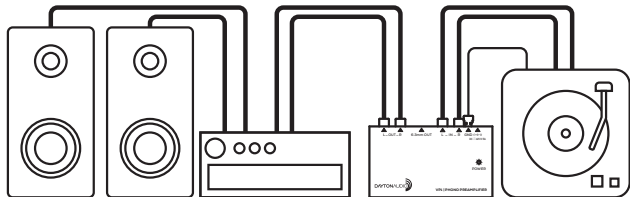
## Package Contents

- Manual
- Phono Preamp
- Power Supply

## Callouts

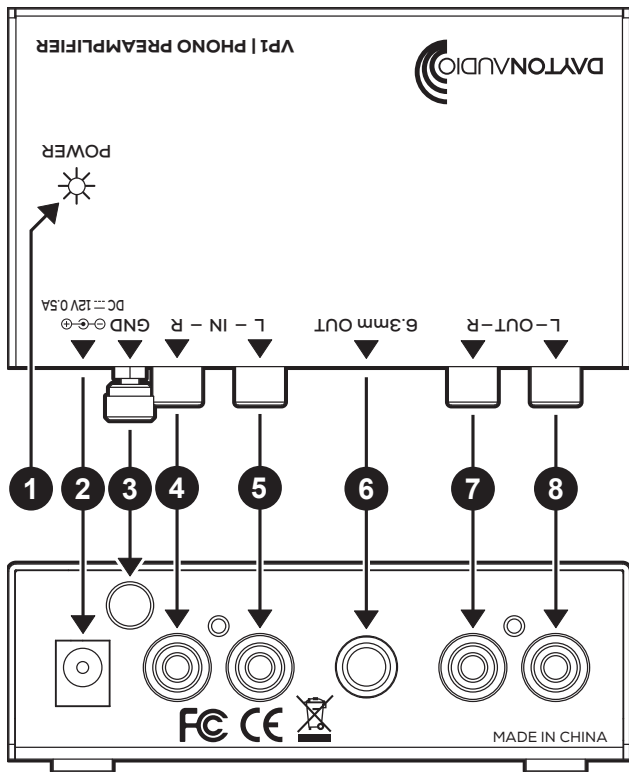
1. **Power LED** – LED that illuminates when the unit is powered on.
2. **DC Power Input 12V 0.5A** – Power supply input used to connect the included power supply.
3. **Ground** – Ground connection to connect to the ground on your turntable.
4. **Right In** – Right input channel to connect to your turntable.
5. **Left In** – Left input channel to connect to your turntable.
6. **6.3mm Out** – 6.3mm (1/4") output to connect to headphones.
7. **Right Out** – Right output channel to connect to an amplifier.
8. **Left Out** – Left output channel to connect to an amplifier.

## RIAA Equalization for Balanced Audio



**Note:** Do not use both the 6.3mm output and the RCA output at the same time.

## Top Panel



## Rear Panel

## Specifications

<b>Input Connection:</b> .....	RCA
<b>Output Connections:</b> .....	1/4" TRS Jack and RCA
<b>Earth:</b> .....	Screw clamp
<b>Input Signal:</b> .....	5mV @ 1 KHz (max. -23,5 dBV @ 1kHz)
<b>Output Signal:</b> .....	Max. +11 dBV @ 1 kHz
<b>S/N Ratio:</b> .....	70dBu
<b>Input Impedance:</b> .....	47K Ohm
<b>Output Impedance:</b> .....	50 Ohm
<b>THD:</b> .....	<0.05%
<b>Frequency:</b> .....	18-20,000Hz
<b>Dimensions:</b> .....	4.1" × 2.4" × 1.3"
<b>Power Supply:</b> .....	DC12V, 500mA

### 5-Year Limited Warranty

See [daytonaudio.com](http://daytonaudio.com) for details



[daytonaudio.com](http://daytonaudio.com)  
tel + 937.743.8248  
[info@daytonaudio.com](mailto:info@daytonaudio.com)

705 Pleasant Valley Dr.  
Springboro, OH 45066  
USA

