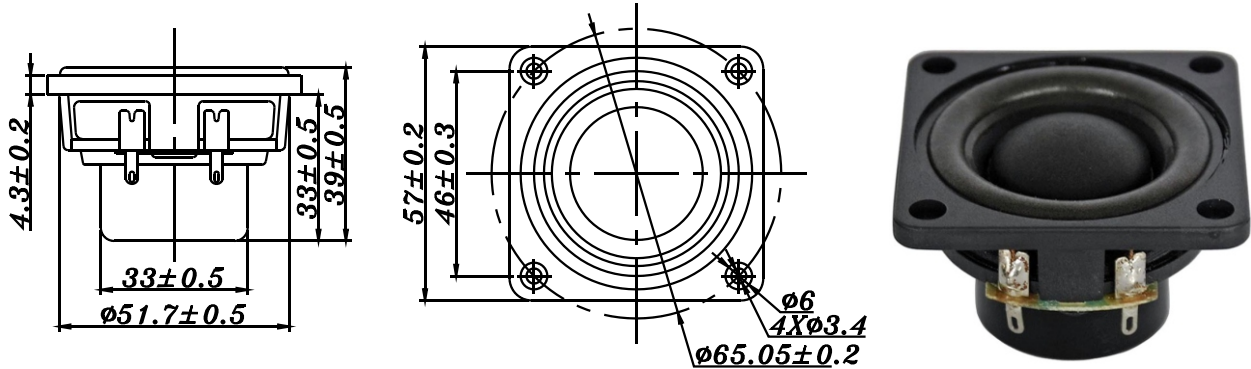


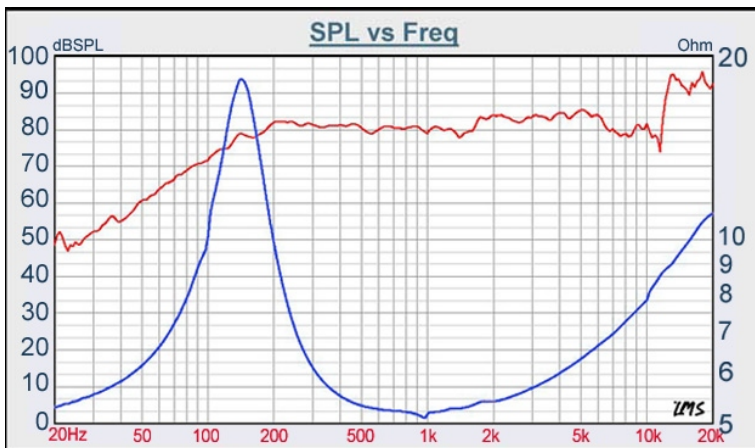
# F SERIES

# W2-1811S



- FULL RANGE SPEAKER DESIGN
- PP CONE WITH FOAM SURROUND
- NEODYMIUM MAGNET SYSTEM
- UNDERHUNG MOTOR DESIGN
- IT'S GOOD FOR MULTIMEDIA APPLICATION

## 2" PP FULL RANGE



DIAPHRAGM MTL	PP
SURROUND MTL	Foam
NOMINAL IMPEDANCE	4 Ω
DCR IMPEDANCE	3.6 Ω
SENSITIVITY 1W/1m	82 dB
FREQUENCY RESPONSE	140 -20K Hz
FREE AIR RESONANCE	140 Hz
VOICE COIL DIAMETER	25.4 mm
AIR GAP HEIGHT	4 mm
RATED POWER INPUT	10 W
MAXIMUM POWER INPUT	20 W
FORCE FACTOR, BL	2.85 TM
MAGNET WEIGHT ( oz)	Neodymium
MOVING MASS	1.35 g
FERROFLUID ENHANCED	No
SUSPENSION COMPLIANCE	963.634 μMN <sup>-1</sup>
EFFECTIVE PISTON AREA	0.0013 M <sup>2</sup>
Levc	0.026 mH
Zo	18 ohm
X-max	0.50 mm
Vas	0.23 Liter
Qts	0.42
Qms	2.15
Qes	0.52

**TB** SPEAKERS

VOICE:886.2.26570282 FAX:886.2.26580166  
E-MAIL :info@tb-speaker.com